



Scheide Sports
Superior by Design

Table of content

Basketball

Portable basketball backstops	4-20
5 x 5	21-25
3 x 3	26
Customized paddings	27
SAM: features chart	28-33
Basketball wall- & ceiling-mounted systems	34-35
Basketball accessories	36-37
Basketball outdoor	

Volleyball

Volleyball sets	38-39
Volleyball accessories	40-41
Beach volleyball	42

Tennis

43

Handball

Handball goals	44
Handball goal nets	45

Badminton

46-47

Korfball

48

Football

Football goals	49
Football goal nets	49

Accessories

50

Multi sports solutions

51

Entre-Prises

52

Acman

53

Just For kids

54

References

55



FIBA
EUROBASKET
2015
LILLE MÉTROPOLE

Road to Rio!

This new catalogue marks our one year countdown to the 2016 Olympic Games in Rio de Janeiro. Schelde Sports will equip all venues for the Olympic Games with the Schelde Sports Super SAM 325 backstop. We want to be well-known for our progressive and customer-focused approach. We also want to excel at delivering quality and we want to offer a comprehensive product range. This is highlighted by our Olympic presence and by our exclusive partnership with FIBA for the 3x3 World Tour. In this catalogue you will find more detailed information about our full range of competitive basketball backstops. We are extremely proud to introduce our new SRX (Spring Regulated eXchange) tension system in our volleyball range. This mechanism is used and favored by professionals around the world.

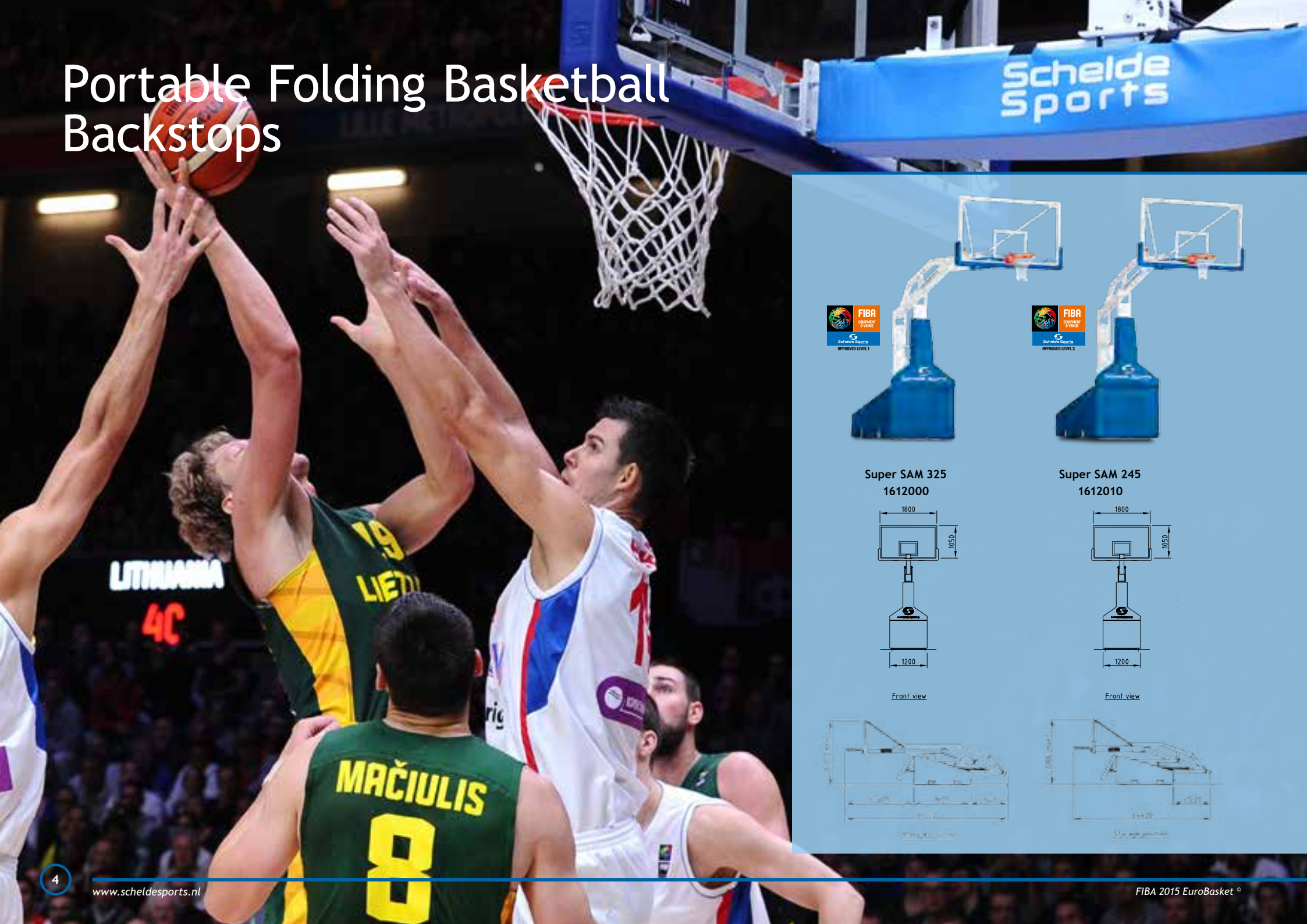
In 2015, Schelde Sports became a part of the ABEO Group (www.groupe-abeo.fr) meaning that we are now able to offer an even more extensive range. In this catalogue we present a total solution for the equipment of Multi Sports venues. From the early stages of the design, to the final installation and service. Schelde Sports offers you a turn key experience based on your local requirements and needs. We now complete our full range of teamsport equipment with climbing walls and dressing room solutions.

Schelde Sports is represented around the world by a dedicated network of distributors. We invite you to visit our website to find the distributor in your region. Our website (www.scheldesports-international.com) always presents the latest news and detailed information about our products and product availability.

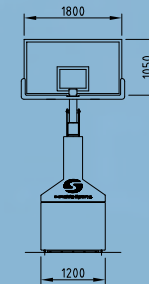
Please join us on our road to Rio!



Portable Folding Basketball Backstops



Super SAM 325
1612000



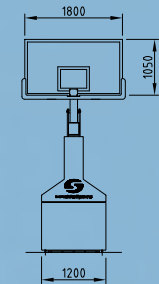
Front view



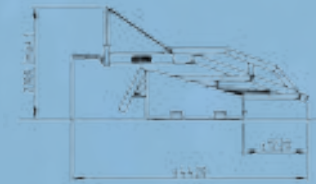
Side view



Super SAM 245
1612010



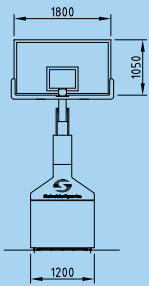
Front view



Side view

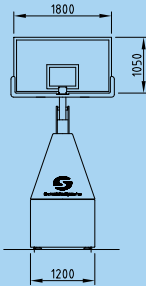


**Super SAM MultiAdjust
1612020**



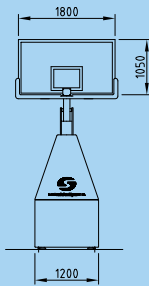
Front view

**SAM 225 Club
1612030**



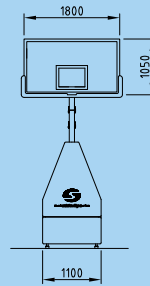
Front view

**SAM 165 Club
1612040**



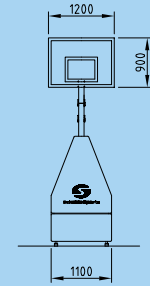
Front view

**Little SAM Pro
1612050**



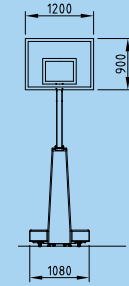
Front view

**Little SAM Club
1612060**



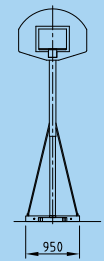
Front view

**Gold Slammer
1626124**

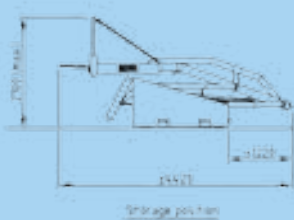


Front view

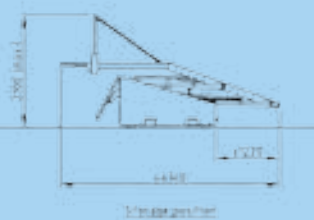
**Silver Slammer
1612080**



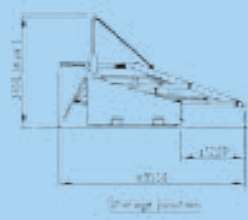
Front view



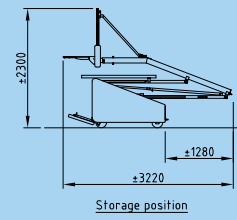
Storage position



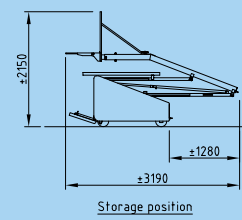
Storage position



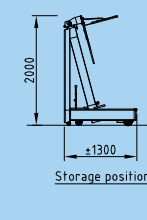
Storage position



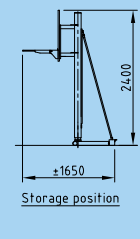
Storage position



Storage position



Storage position



Storage position

The Next Generation of Schelde Sports Innovation

Superior engineering is the heart of all Schelde Sports equipment and the soul of our company culture.

The SAM portable basketball goal is a shining example of what can be done when this philosophy is followed. Renowned for its simplicity, durability and innovative design, the SAM has been the world's number one selling portable goal over the past 20 years. More than 6,500 SAMs are currently in use in over 100 countries, and for many good reasons. Like a true champion, the SAM refuses to rest on

its past achievements as it continues to push the limits of perfection. Redesigning the SAM was a natural outgrowth of the Schelde mission, attaining new heights of technology that translate into real advantages for our customers. Our team of engineers, including the inventor and chief engineer for the original SAM, studied and re-evaluated every detail of SAM's structural and mechanical systems. We also engaged the collective intelligence of our top sales team, installers, technicians and, of course, feedback from our customers. The result is a new Super SAM that raises the world standard while expanding on the innovative features that have made it legendary.



Easy set-up by one person in five seconds or less!

The Spring Assisted Mechanism and Dynamic Sub Frame simultaneously lift, position and balance the goal at the precise playing height in one easy movement.

Spring Assisted Mechanism and Dynamic Sub Frame



Dynamic Sub Frame in mobile position (up). Increased clearance space between DSF bar and floor allows for easy transport. Double swivel wheels help protect floors. Two rollers protect the DSF when driving up a ramp.



Dynamic Sub Frame in game position (down). Steel bar with resilient protective pad evenly distributes weight, helps protect floors and absorbs the impact of slam dunks.

SAM derives its name from its Spring Assisted Mechanism (SAM). A simple, yet revolutionary idea that harnesses the natural laws of physics, the Spring Assisted Mechanism was invented by Schelde to eliminate the problems and complexities associated with hydraulic and electro-mechanical lift systems. No hydraulic pumps, hoses or fluids to service. No motors or gears to grease. Nothing to repair. Designed to last, well, almost forever.

In its folded, mobile position, SAM stores energy in its counterbalanced spring mechanism. With just a simple push, one person can easily raise the unit into game position. Folding the unit is just as simple, assisted by the natural force of gravity. Working in tandem with the Spring Assisted Mechanism, Schelde's patented Dynamic Sub Frame (DSF) is uniquely designed to simultaneously transfer weight from the wheels to the subframe using energy from the springs. The subframe is a steel bar with a resilient protective pad that evenly distributes weight along the floor. This system automatically stabilizes the unit and places the ring at precisely 305 cm. The even distribution of weight guarantees maximum protection of vulnerable sportsfloors.

Meet the Super SAM!

Lockable deadlock tensioner

now standard on all SAM goals, our new deadlock tensioner creates a crosslink between the vertical support structures and helps reduce vibration.



Power beam

constructed with high-tensile strength steel provides optimum rigidity and strength.

Lifetime maintenance-free pivot bearings

Spring-activated positive locking pin

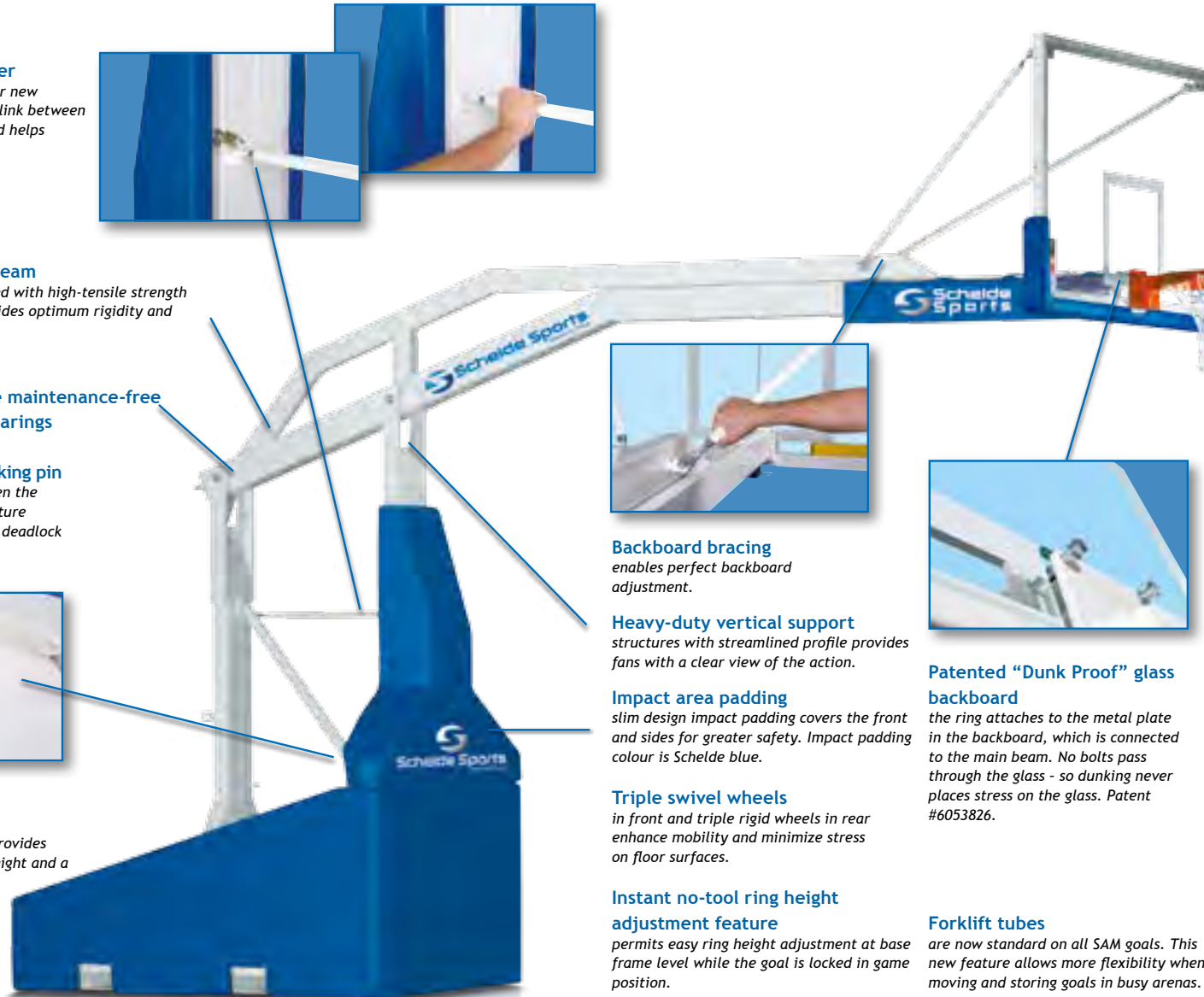
automatically snaps into place when the goal is fully raised. This handy feature locks the goal in position until the deadlock tensioner is engaged.



100% enclosed ballast

and integrated counterbalancing provides optimum placement of internal weight and a clean, attractive appearance.

Standard integrated rear anchor system



Full-perimeter steel frame

protects the backboard from stress.



Backboard bracing

enables perfect backboard adjustment.

Heavy-duty vertical support

structures with streamlined profile provides fans with a clear view of the action.

Impact area padding

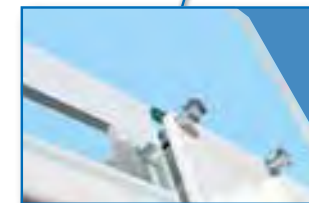
slim design impact padding covers the front and sides for greater safety. Impact padding colour is Schelde blue.

Triple swivel wheels

in front and triple rigid wheels in rear enhance mobility and minimize stress on floor surfaces.

Instant no-tool ring height adjustment feature

permits easy ring height adjustment at base frame level while the goal is locked in game position.



Patented "Dunk Proof" glass backboard

the ring attaches to the metal plate in the backboard, which is connected to the main beam. No bolts pass through the glass - so dunking never places stress on the glass. Patent #6053826.

Forklift tubes

are now standard on all SAM goals. This new feature allows more flexibility when moving and storing goals in busy arenas.



Exclusive Pro-Action™ 180 adjustable ring

a safer way to slam dunk, our exclusive multi-directional breakaway ring helps protect players. It is the only 180° breakaway ring with an adjustable positive locking mechanism for the most consistent rebounds.



Super SAM



LED strip shown is optional

Setting the world standard for excellence. Designed and manufactured by the inventors of the original SAM (Spring Assisted Mechanism) and DSF (Dynamic Sub Frame).

Standard Features

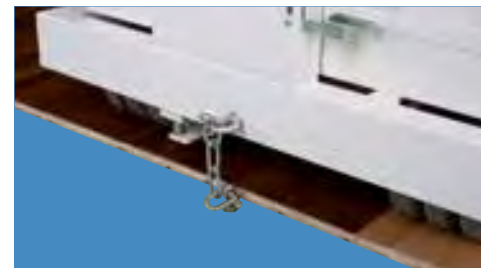
- Available in 245 cm and 325 cm clearance space for maximum player safety.
- Patented Dynamic Sub Frame (DSF) for instant set-up and uniform weight distribution. Manual DSF available.
- Patented “dunk proof” backboard with Scheide’s famous glass-free ring attachment and full-perimeter steel frame around the glass.
- Exclusive Pro-Action™ 180° multi-directional breakaway ring with adjustable positive locking mechanism. Complies with FIBA and NCAA standards for ring elasticity and ball rebound.
- Heavy-duty power beam and support structure built with high-tensile-strength steel for exceptional rigidity, strength and durability.
- Spring-activated positive locking pin makes set-up easier.
- Lockable deadlock tensioner.
- Front locator pins for precise placement and stability.
- No-tool-ring-height adjustment allows easy height adjustment with goal in game position.
- 100% enclosed ballast for a clean, attractive appearance.
- Triple swivel wheels in front and triple rigid wheels in rear.



Automatic beam lock in storage position.



Instant fine-tuning of ring height whilst goal in game position.



Two triple wheels under rear of base frame, and one integrated rear anchor system.



Alternative tie-down system (optional): 1 anchor on each side of base frame.



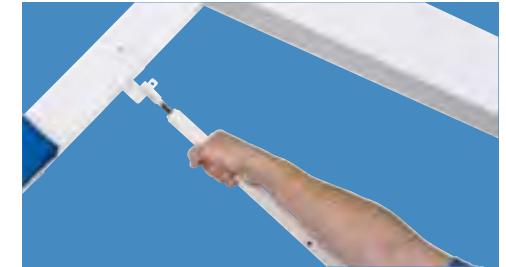
Automatic snap lock on telescopic rod. Locking pin secured with deadlock.



Frame padding (front and sides) and backboard padding in Schelde blue are standard.



Optional feature: manual activation of DSF system (can provide the solution if space from baseline to nearest wall is limited).



Lockable deadlock tensioner.

Accessories

Steel spring for Super SAM 245 1612090

Add one extra spring to each order for Super SAM 245 if shot clocks are going to be used on top of the main beam.

Support for single-faced shot clock 1612091

Folding support for a single-faced Schelde shot clock. Hinged base plate matches hole pattern in Super SAM beam. Braces attach to corners of backboard frame.

Support for four-sided shot clock 1612092

Folding support for a four-sided Schelde shot clock. Hinged base plate matches hole pattern in Super SAM beam. Braces attach to corners of backboard frame.

Floor anchor set 1612095

Chain with safety hooks tie-down set for portable basketball backstop. Floor insert is not included and must be ordered separately.

Backboard light (LED strip) 3183039

For mounting on glass backboard, to be linked up with game clock. Set of 2 backboard lights.



Super SAM 325

For world-class venues and highest level of competition.



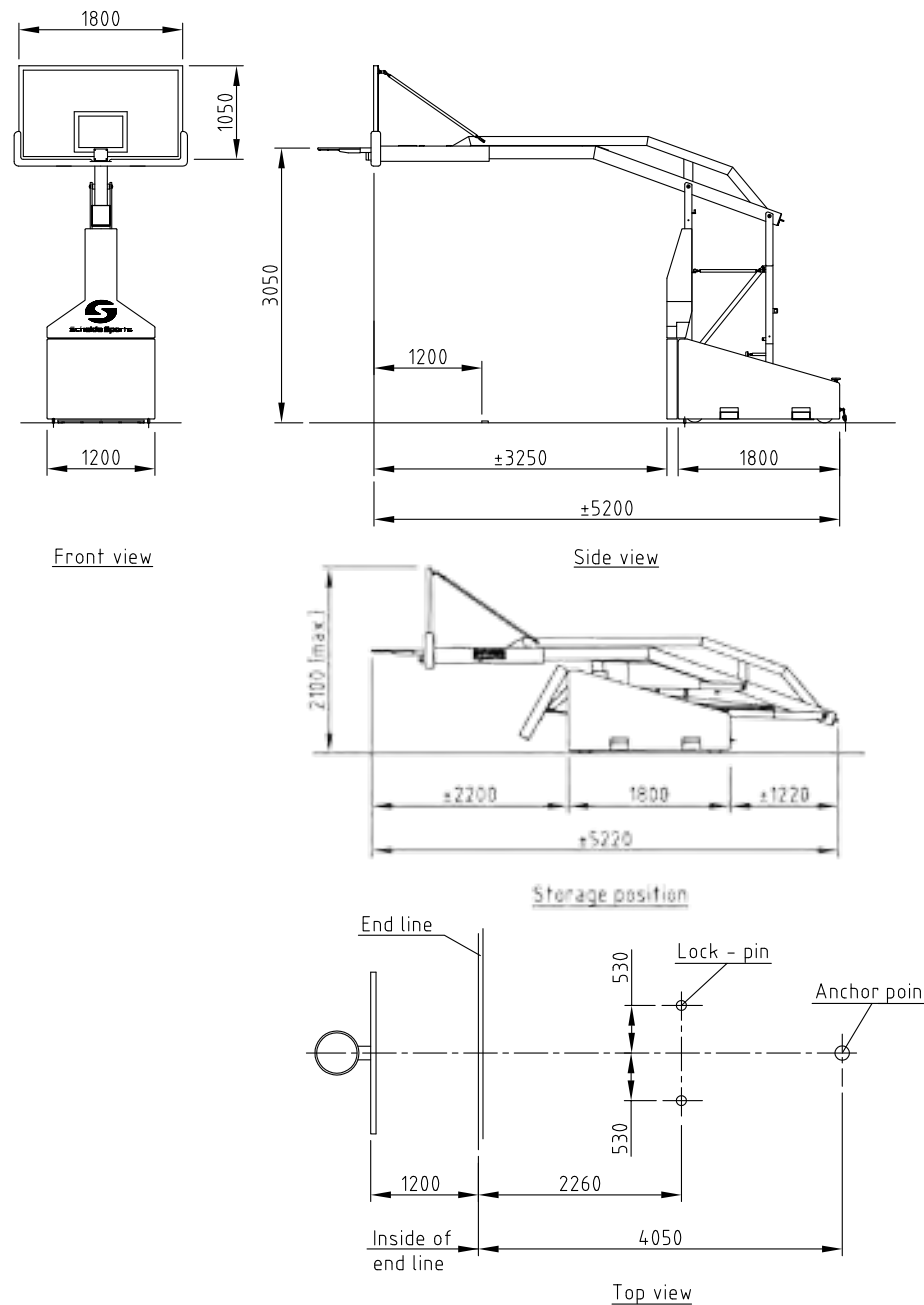
Setting the world standard for excellence. Designed and manufactured by the inventors of the original SAM (Spring Assisted Mechanism) and DSF (Dynamic Sub Frame).

Super SAM 325, complete unit 1612000

Complete portable backstop unit, 325 cm projection, FIBA approved Level 1.

Spring Assisted Mechanism

- with DSF one-step set-up system;
- tempered glass backboard;
- 180° multidirectional breakaway ring;
- anti-whip net;
- safety padding to front, sides, backboard and neck in standard Schelde blue colour; optional: possible with customized padding;
- floor connector set and floor hook are inclusive.



Super SAM 245

All the features of the FIBA level 1 unit, but with reduced clearance space.

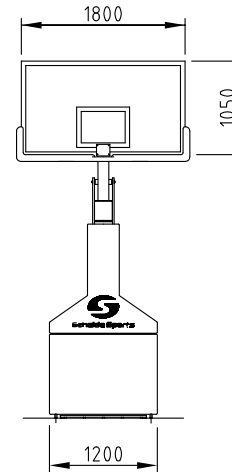


Setting the world standard for excellence. Designed and manufactured by the inventors of the original SAM (Spring Assisted Mechanism) and DSF (Dynamic Sub Frame).

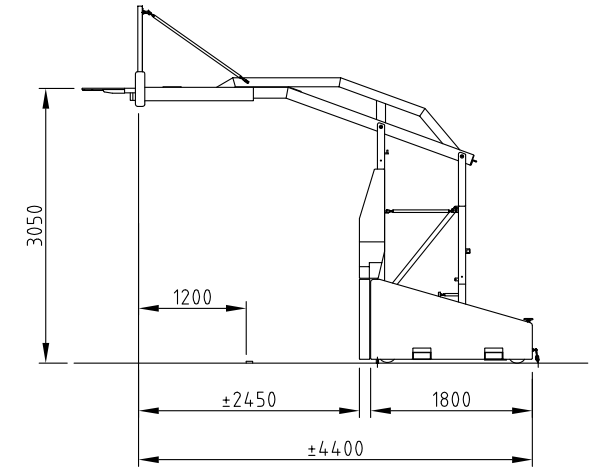
Super SAM 245, complete unit 1612010

Complete portable backstop unit, 245 cm projection, FIBA approved Level 3. Spring Assisted Mechanism

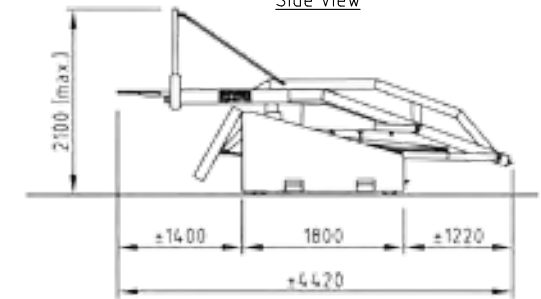
- with DSF one-step set-up system;
- tempered glass backboard;
- 180° multidirectional breakaway ring;
- anti-whip net;
- safety padding to front, sides, backboard and neck in standard Schelde blue colour. Optional: possible with customized padding;
- floor connector set and floor hook are inclusive.



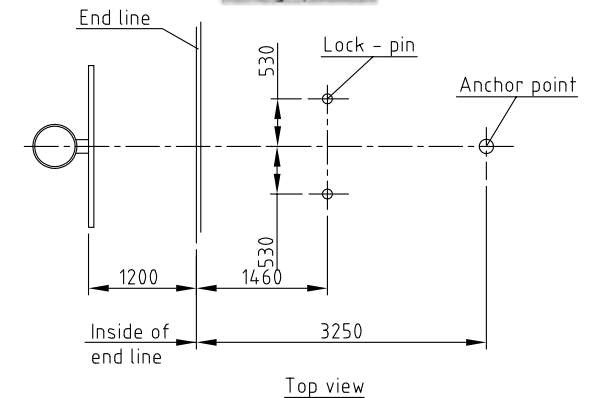
Front view



Side view



Storage position



Super SAM MultiAdjust

Backboard and ring adjust horizontally!

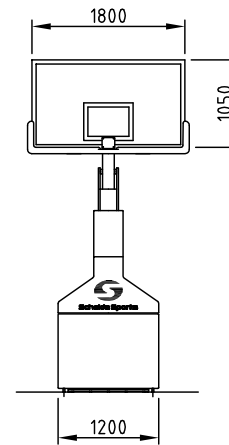


Enables main court use at 325 cm projection (FIBA level 1) and cross-court use at 245 cm, taking up 80 cm less space.

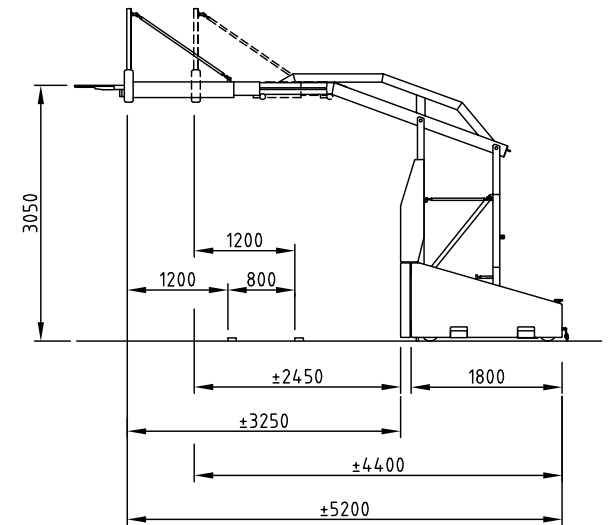
Super SAM MultiAdjust, complete unit 1612020

Complete portable backstop unit, adjustable projection 325 cm - 245 cm, FIBA approved Level 1. Spring Assisted Mechanism

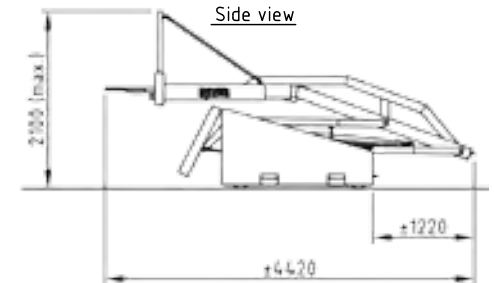
- with DSF one-step set-up system;
- tempered glass backboard;
- 180° multidirectional breakaway ring;
- anti-whip net;
- safety padding to front, sides, backboard and neck in standard Schelde blue colour. Optional; possible with customized padding;
- floor connector set and floor hook are inclusive.



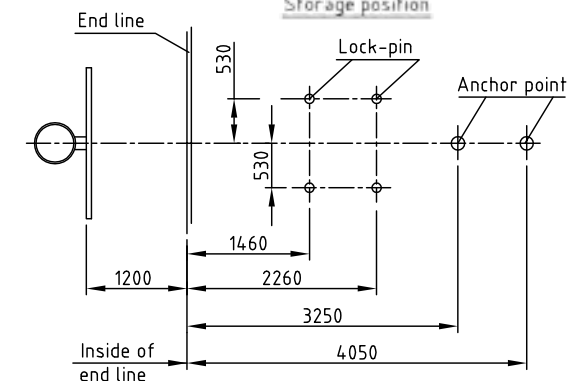
Front view



Side view



Storage position



Top view

SAM 225 Club and SAM 165 Club

The SAM Club range now benefits from many of the features found in our world-class Super SAM units. Built to take the punishment of slam dunks, the SAM Club is an economical main court system for clubs, high schools, community halls, national/regional competition of all levels. For top competition arenas and gyms, the SAM Club is the perfect side court unit. It is available in 225 cm projection and 165 cm projection.



Automatic snap lock on telescopic rod. Locking pin secured with deadlock.



Frame paddings (front and sides) and backboard padding in Schelde blue are standard.



Lockable deadlock tensioner shown is optional.



Unidirectional dunk ring has an adjustable positive locking system.

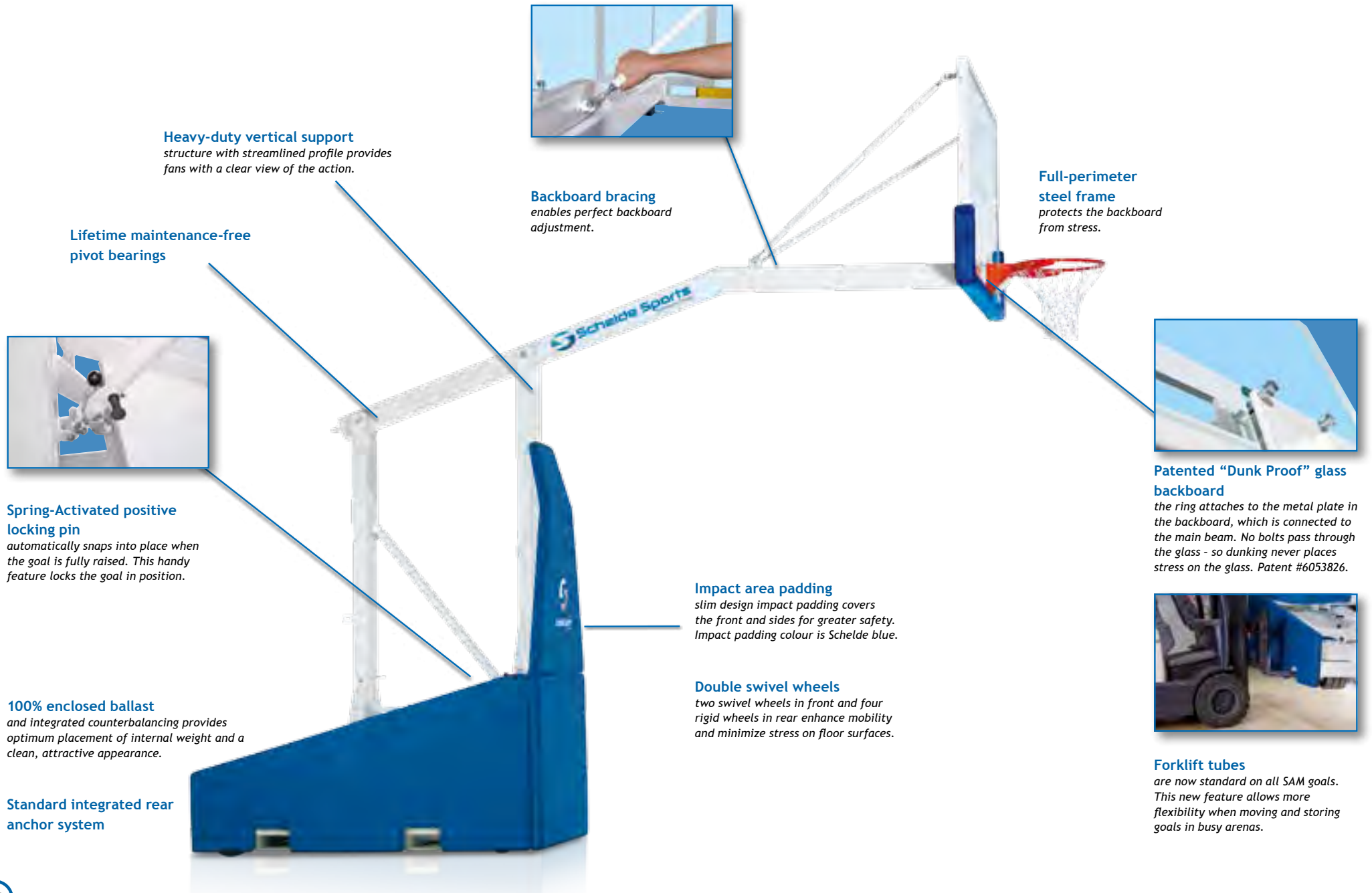


Automatic pedestal feet lock unit in game position.



Pedestal feet retract automatically as unit is lowered to storage position.

Meet SAM Club!



Heavy-duty vertical support
structure with streamlined profile provides fans with a clear view of the action.

Lifetime maintenance-free pivot bearings



Spring-Activated positive locking pin
automatically snaps into place when the goal is fully raised. This handy feature locks the goal in position.

100% enclosed ballast
and integrated counterbalancing provides optimum placement of internal weight and a clean, attractive appearance.

Standard integrated rear anchor system



Backboard bracing
enables perfect backboard adjustment.

Full-perimeter steel frame
protects the backboard from stress.



Patented "Dunk Proof" glass backboard
the ring attaches to the metal plate in the backboard, which is connected to the main beam. No bolts pass through the glass - so dunking never places stress on the glass. Patent #6053826.

Impact area padding
slim design impact padding covers the front and sides for greater safety. Impact padding colour is Schelde blue.

Double swivel wheels
two swivel wheels in front and four rigid wheels in rear enhance mobility and minimize stress on floor surfaces.



Forklift tubes
are now standard on all SAM goals. This new feature allows more flexibility when moving and storing goals in busy arenas.

SAM 225 Club

Economical main court system for clubs, high schools, community halls, school gyms, national/ regional competition of all levels; 225 cm projection.

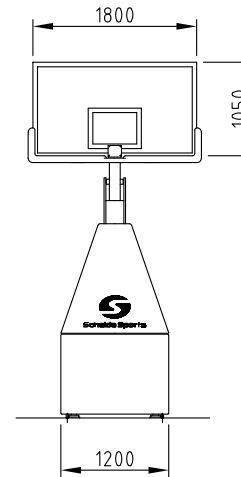


Designed and manufactured by the inventors of the original SAM (Spring Assisted Mechanism) and now equipped with the DSF-based new APF (Automatic Pedestal Feet) feature for instant positioning.

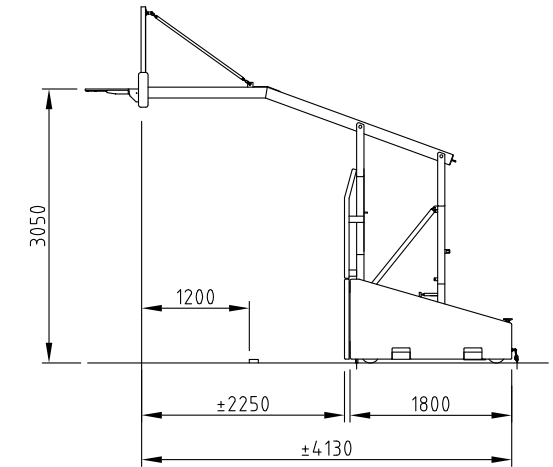
SAM 225 Club, complete unit 1612030

Complete portable backstop unit, 225 cm projection, FIBA approved Level 3. Spring Assisted Mechanism

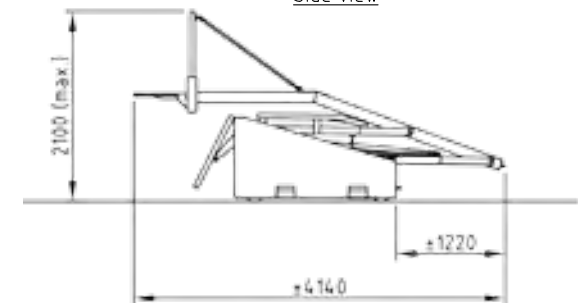
- with APF Automatic Pedestal Feet one-step set-up system;
- tempered glass backboard;
- unidirectional breakaway ring;
- anti-whip net;
- safety padding to front, sides, and backboard in standard Schelde blue. Optional: possible with customized padding;
- floor connector set and floor hook are inclusive.



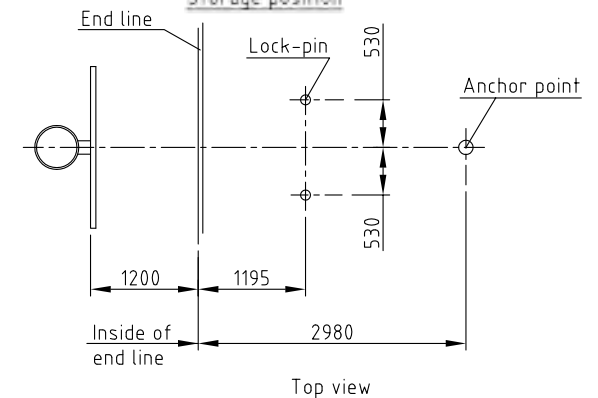
Front view



Side view



Storage position



Top view

SAM 165 Club

Economical main court system for clubs, community halls, school gyms, regional competition; 165 cm projection.



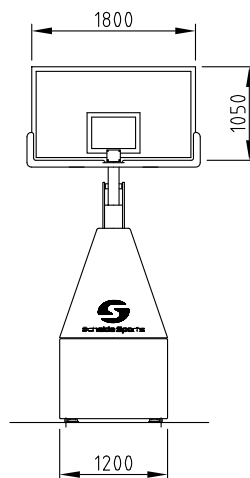
Designed and manufactured by the inventors of the original SAM (Spring Assisted Mechanism) and now equipped with the DSF-based new APF (Automatic Pedestal Feet) feature for instant positioning.

SAM 165 Club, complete unit 1612040

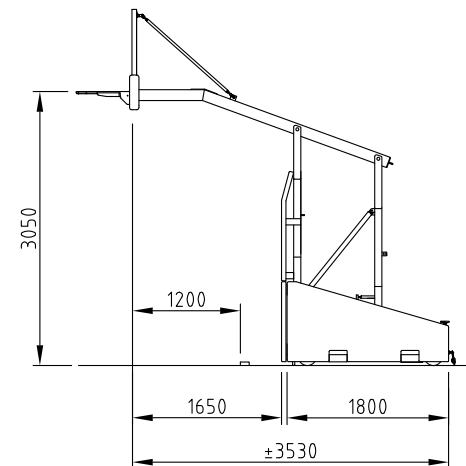
Complete portable backstop unit, 165 cm projection.

Spring Assisted Mechanism

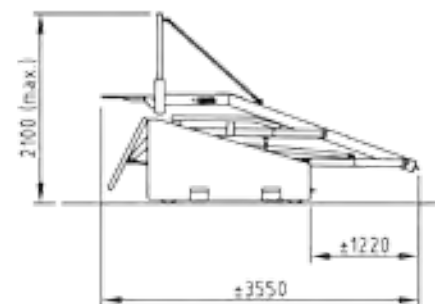
- with APF Automatic Pedestal Feet one-step set-up system;
- tempered glass backboard;
- unidirectional breakaway ring;
- anti-whip net;
- safety padding to front, sides, and backboard in standard Schelde blue. Optional: possible with customized padding;
- floor connector set and floor hook are inclusive.



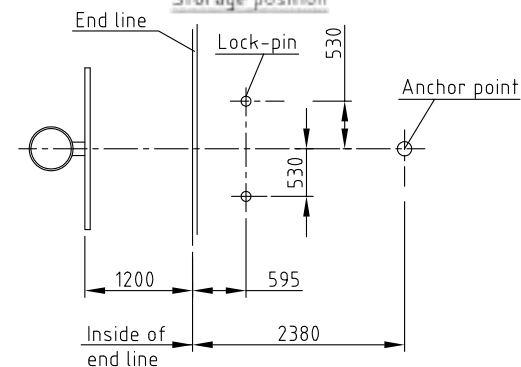
Front view



Side view



Storage position



Top view

Little SAM Pro

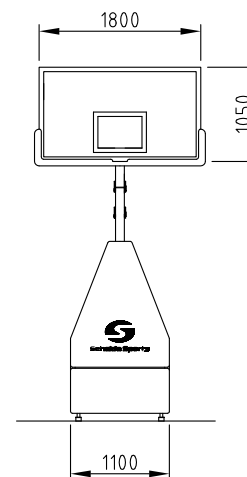
Little SAM is an economical side-court unit or recreational competition goal. Little SAM Pro has a full-size see-thru acrylic backboard.



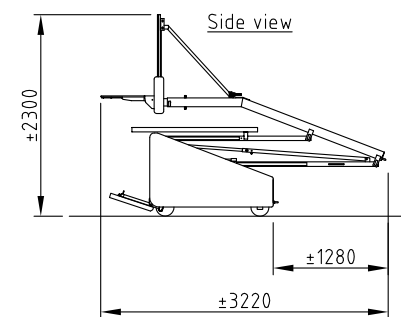
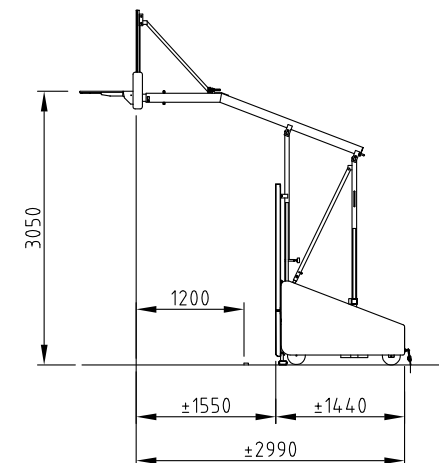
Little SAM Pro with acrylic 180x105 cm backboard 1612050

Portable sidecourt unit

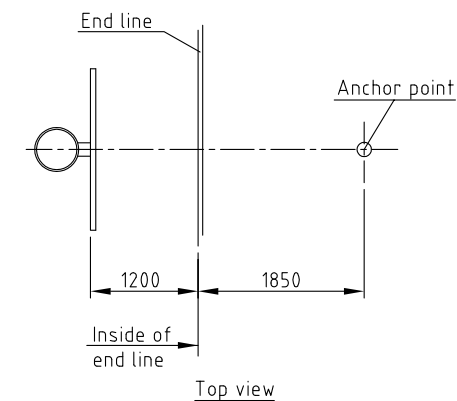
- 155 cm projection;
- gravity- and spring-assisted set-up system;
- full-size 10 mm acrylic backboard 180x105 cm mounted on metal support frame;
- unidirectional breakaway ring;
- anti-whip net;
- Schelde blue safety padding to front, sides and backboard;
- floor connector set and floor hook inclusive;
- easy flip-down lower front panel lowers unit on wheels for transport.



Front view



Storage position



Top view

Little SAM Club

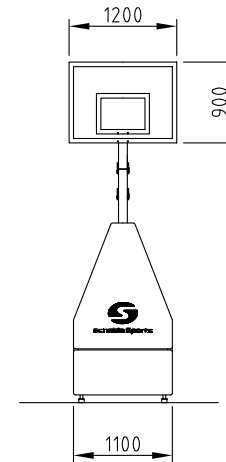
Little SAM is an economical side-court unit or recreational competition goal. Little SAM Club has a downsized white fiberglass backboard.



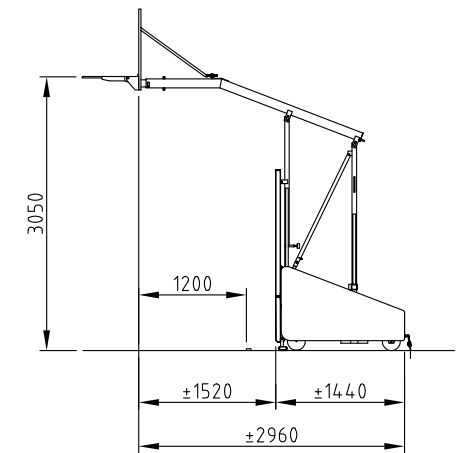
Little SAM Club with fiberglass 120x90 cm backboard 1612060

Portable sidecourt unit

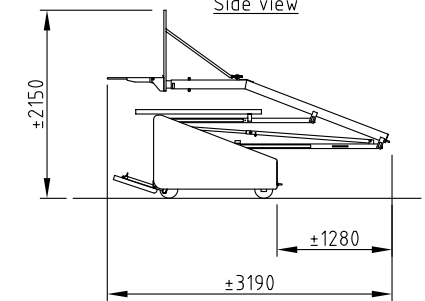
- 152 cm projection;
- gravity- and spring-assisted set-up system;
- reduced-size backboard 120x90 cm made of fiberglass with wood core;
- unidirectional breakaway ring;
- anti-whip net;
- Schelde blue safety padding to front and sides;
- floor connector set and floor hook inclusive;
- easy flip-down lower front panel lowers unit on wheels for transport.



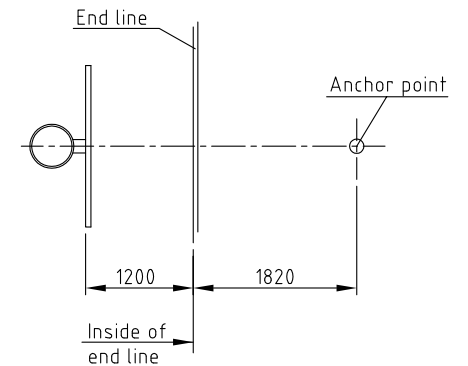
Front view



Side view



Storage position



Top view

Gold Slammer

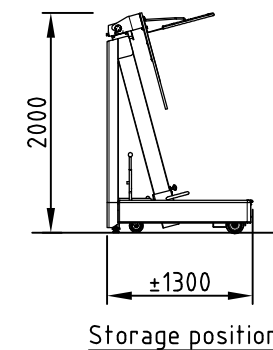
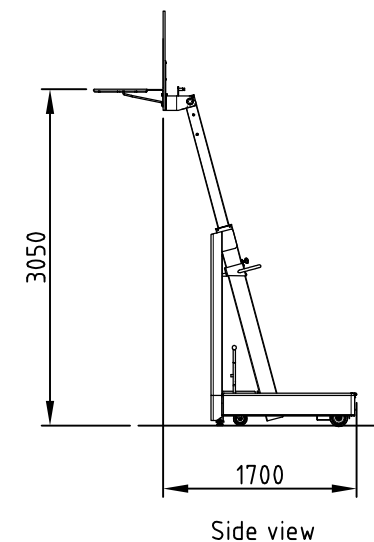
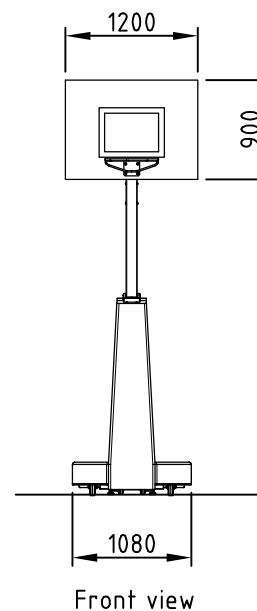
Gold Slammer is a sturdy portable shooting station, ideal when space, mobility and price are prime considerations.



Gold Slammer 1626124

Rollable non-folding basketball stand

- height adjustable, on weighted base, wheeled;
- ring heights 200, 220, 240, 260, 280 and 305 cm;
- projection 45 cm (when ring height 305 cm);
- storage height with folded backboard 200 cm;
- reduced-size backboard 120x90 cm made of fiberglass with wood core;
- equipped with a dunk ring and net;
- Schelde blue safety padding to front and sides;
- comes with 2 front swivel wheels and 2 floor stamps. Supplied with floor connector (excl. floor hook).



Silver Slammer

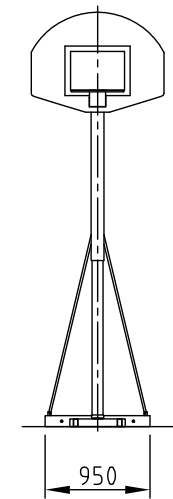
Silver Slammer is our most economical portable unit that combines height adjustability with limited space requirements and easy portability.



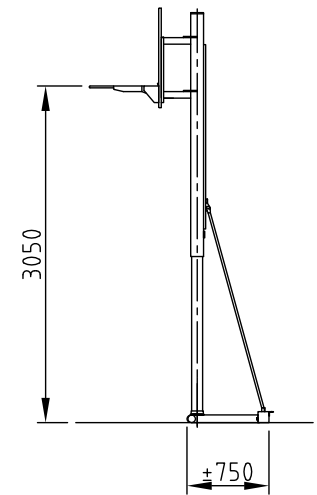
Silver Slammer 1612080

Rollable non-folding basketball stand

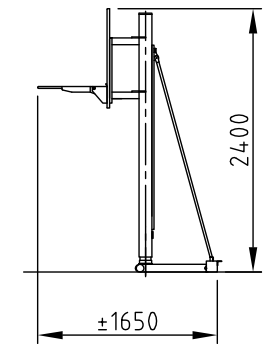
- height adjustable single post upright on weighted base, wheeled;
- ring heights 213, 245, 260, 275 and 305 cm;
- projection 30 cm;
- storage height 240 cm;
- backboard made of fiberglass, fan shape,
- equipped with a dunk ring and net;
- supplied with floor connector (excl. floor hook);
- removable Schelde blue post padding is included.



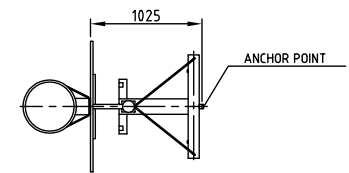
Front view



Side view



Storage position



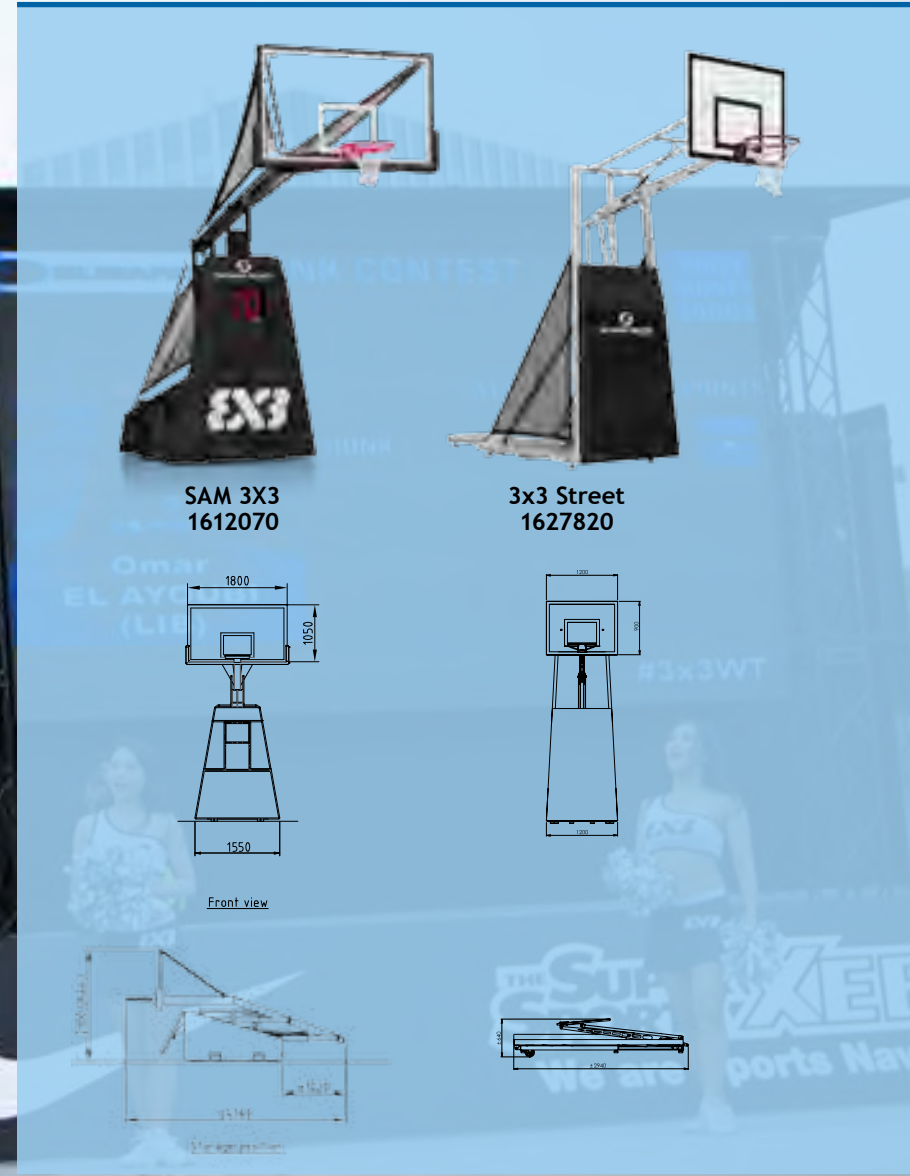
Top view



Schelde Sports
Superior by Design



Portable folding 3x3 backstops



WELCOME OUR SAM 3x3!

Advertising banners

add value to your event by advertising on the side and top banners, one of the most visible spots all around the court.

Lockable Deadlock Tensioner

our new Deadlock Tensioner creates a crosslink between the vertical support structures and helps reduce vibration during in-your-face monster dunks.



Integrated counter weights

no need to anchor the SAM 3x3 to the ground. The extra integrated counter weights make it 100% freestanding.



Power beam and body

constructed with high-tensile strength steel to provide optimum rigidity and strength. Fully galvanized and anti glare black coating.

180° Dunk ring

optimal performance during your freestyle 3x3 dunking contest.



High impact protective padding

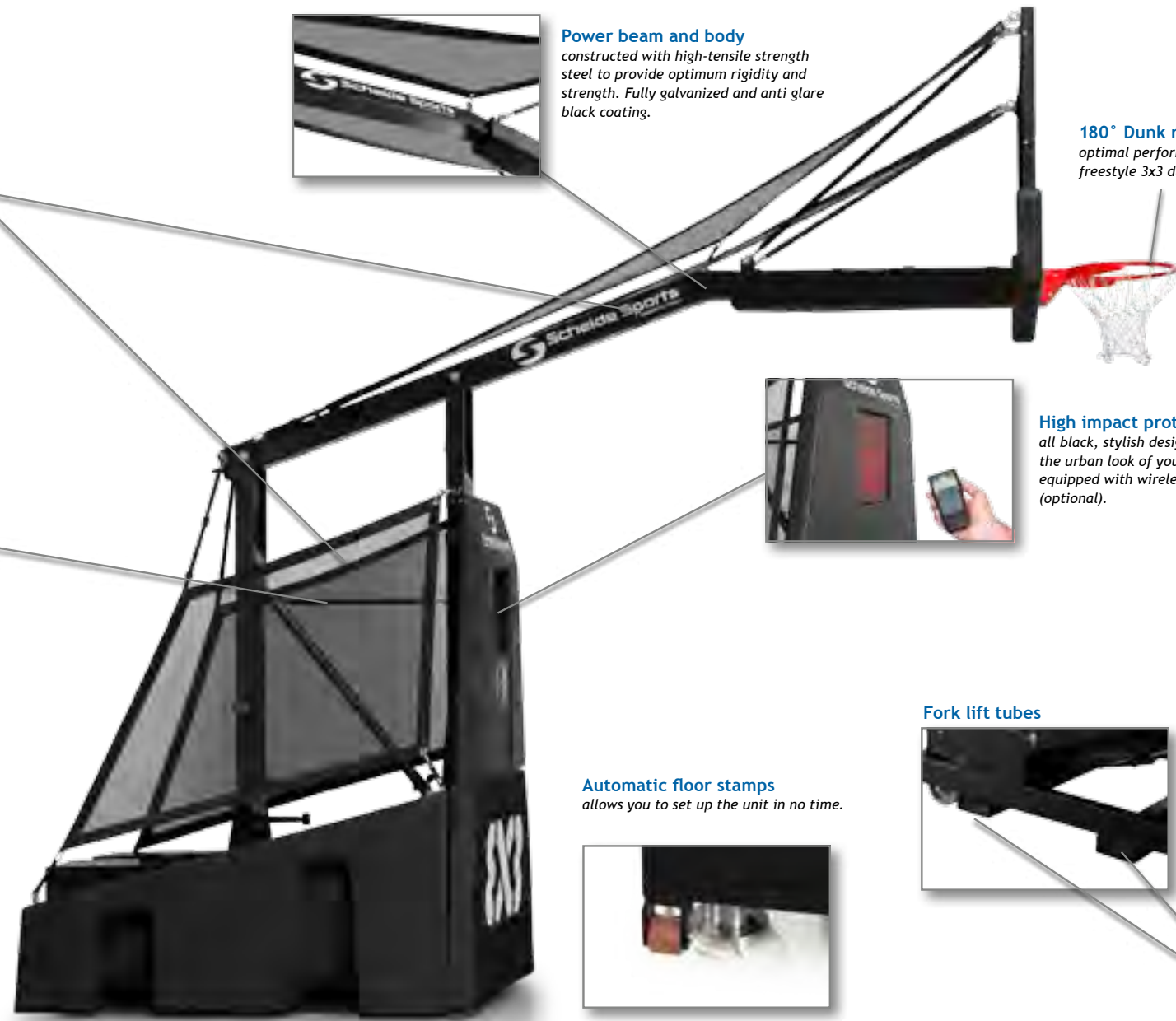
all black, stylish design, supporting the urban look of your event. Can be equipped with wireless 12" shot clock (optional).

Automatic floor stamps

allows you to set up the unit in no time.



Fork lift tubes



SAM 3x3

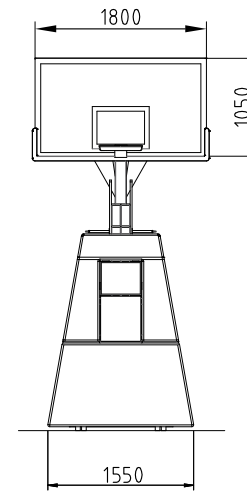


Sam 3x3 1612070

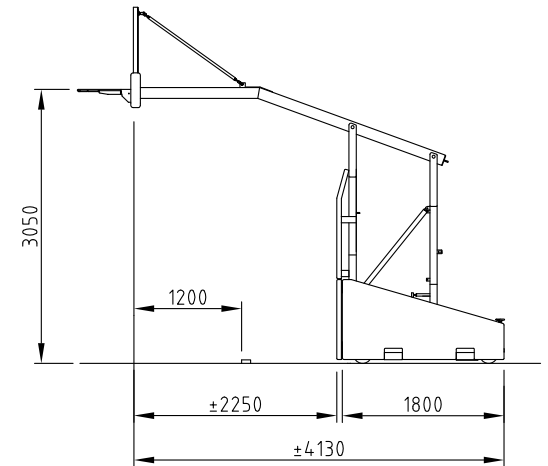
The official 3x3 unit! Setting the world standard for 3x3 basketball. Official backstop of the FIBA 3x3 World Tour and FIBA 3x3 World Championships.



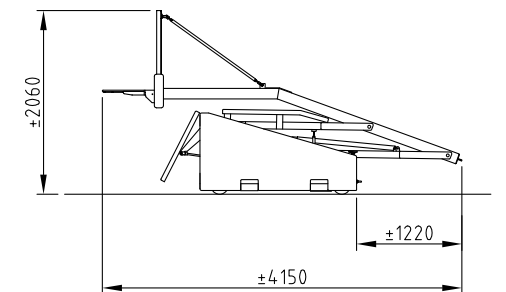
For world-class 3x3 events and highest level of competition.



Front view



Side view



Storage position

3x3 Street



3x3 Street 1627820

Ideal backstop for all your 3x3 events. Easy to set up, easy to move, easy to store. Unique design of support structure makes this 3x3 backstop suitable for all levels of play. Dunk proof. Perfect solution for any temporary 3x3 venue.



Transport trolley 2300560

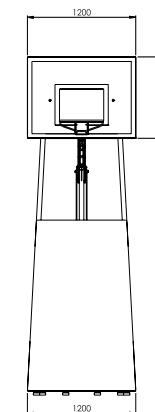
Backside transport trolley.

Steel drum 1627821

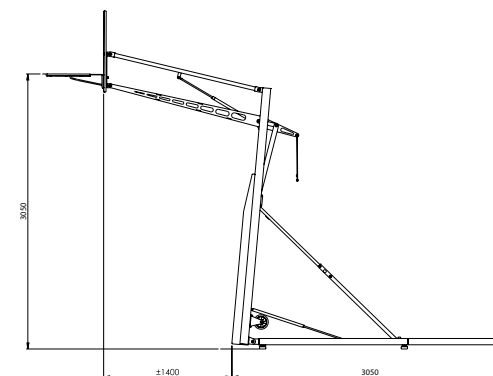
For use as counter weight. Can be filled with water, sand or...

Advertising banner set 2300570

Black banner set.



Front view



Side view



Storage position



storage



mini



senior

Visit our 3x3 street website

WWW.3X3STREET.COM

All our backstops are also available with **bespoke features**



- custom colored beam padding
- promotional V-shaped top banners
- rugged, weather resistant front padding
- integrated shot clock
- promotional side banners
- rugged, weather resistant base padding
- integrated counterweights

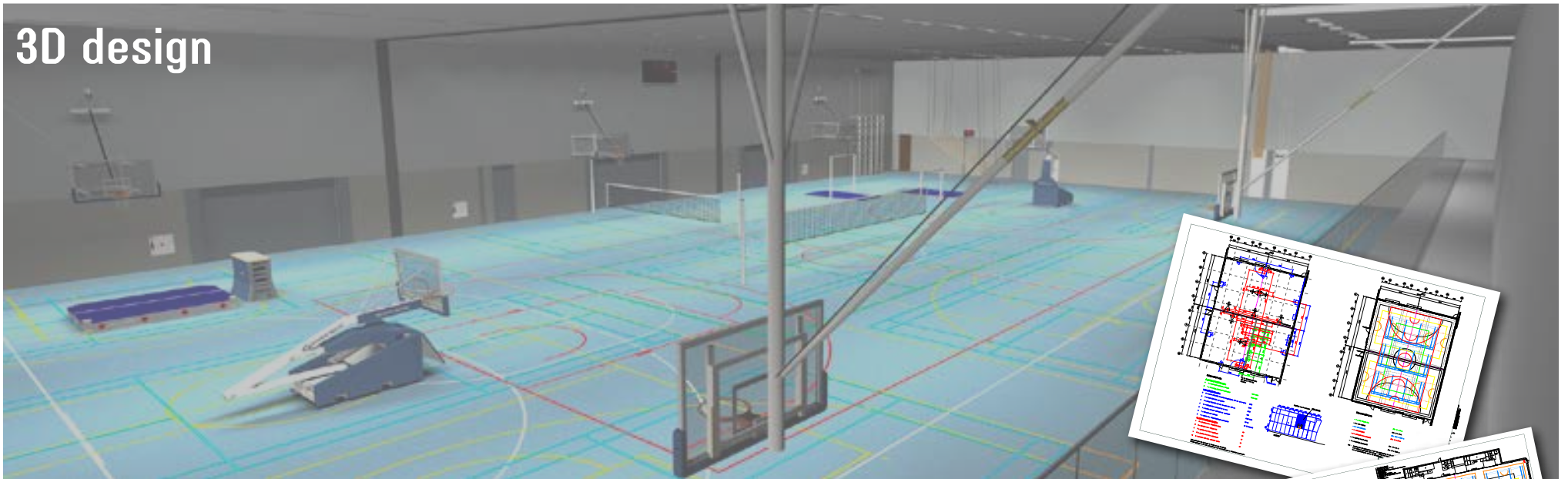
SAM: Standard/optional features chart

S = Standard O = Optional	Super SAM 325	Super SAM 245	Super SAM MultiAdjust	SAM 225 Club	SAM 165 Club
	1612000	1612010	1612020	1612030	1612040
Tempered glass backboard	S	S	S	S	S
Multidirectional dunk ring 180°	S	S	S	-	-
Unidirectional dunk ring	-	-	-	S	S
4 swivel wheels (front, 2 x 2)	-	S	-	S	S
6 swivel wheels (front, 2 x 3)	S	O	S	O	O
4 fixed wheels (rear, 2 x 2)	-	-	-	S	S
6 fixed wheels (rear, 2 x 3)	S	S	S	-	-
Maintenance-free pivot bearings	S	S	S	S	S
Folded height max. 210 cm	S	S	S	S	S
Forklift tubes in base frame	S	S	S	S	S
305 cm and 260 cm ring height settings	S	S	S	S	S
Automatic lock on telescopic rod	S	S	S	S	S
Lockable deadlock tensioner	S	S	S	-	-
Lockable beam-catch in stored position	S	S	S	S	S
Front-, sides and neck padding set Bleu	S	S	S	-	-
Front and sides padding set Bleu	-	-	-	S	S
Customised padding	O	O	O	O	O
Automatic DSF (Dynamic Sub Frame)	S	S	S	-	-
Automatic pedestal feet APF	-	-	-	S	S
Manual operation of DSF/APF	O	O	O	O	O
Front locator pins and floor plates	S	S	S	S	S
Integrated rear anchor system and floor plate	S	S	S	S	S
No-tool ring height adjustment in base frame	S	S	S	-	-
Extra spring for shot clock compensation	S	O	S	O	O
shot clock support (for single-faced shot clocks)	O	O	O	-	-
shot clock support (for four-faced shot clocks)	O	O	O	-	-
floor anchor set (1 extra needed if side-anchoring used)	O	O	O	O	O
100% enclosed ballast weight	S	S	S	S	S
Additional ballast weight in base	O	O	O	O	O
FIBA approved	LEVEL 1	LEVEL 3	LEVEL 1	LEVEL 3	-
LED strip on backboard	O	O	O	O	O



From 3D design to realisation

3D design

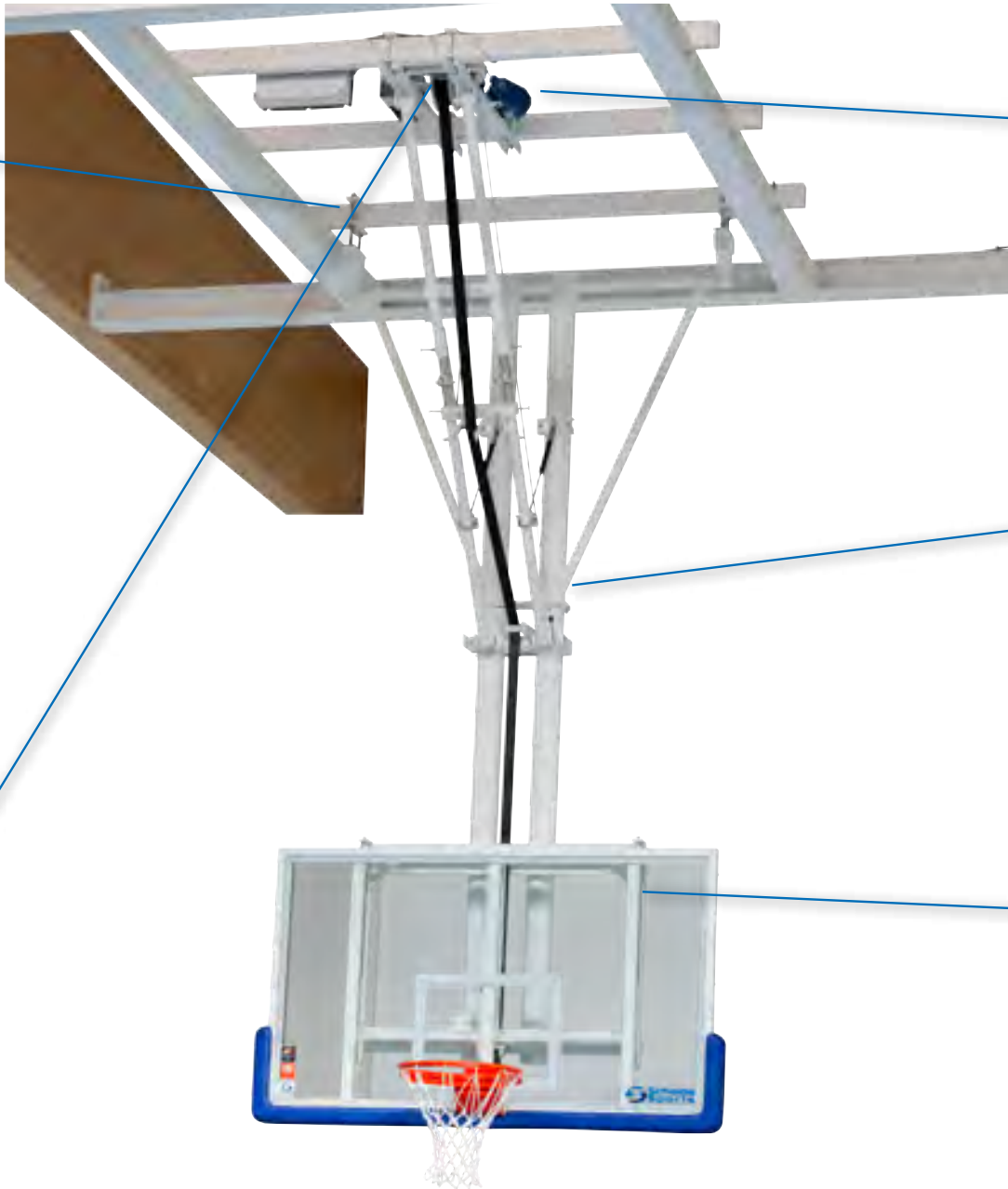


Realisation





Ceiling-suspended DualTube basketball backstops



Ease of installation
easily clamp the backstop to your auxiliary steel. No welding, no bolting.



Maximum safety
all our DualTube backstops are standard equipped with our EN360 approved safety suspension device.



Exceptional stability
our heavy-duty DualTube construction, in combination with the triangular side bracing, cancels out just about all vibrations.

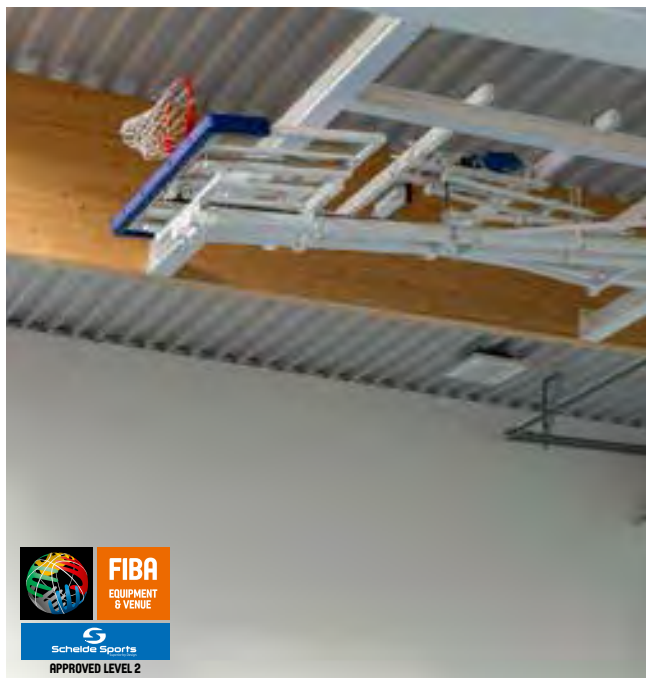


Ease of use
powerful 3 pk - 400v motor enables fast and worry free hoisting. Push button or remote controlled.



Adjustable height setting
ring height can be adjusted anywhere between 305 cm and 260 cm (optional).

Ceiling-suspended DualTube basketball backstops



Stability and minimum post vibration are the key characteristics of the DualTube ceiling-mounted basketball backstop. The frame consists of 2 strong, vertical main round tubes which, at the top, are braced to the side. Together these form a triangle. The triangle is commonly recognised as the most stable and sturdy shape. This triangular construction hinges as a whole into position for use and is kept in position by 2 hinged bracing tubes. The backstop is controlled electronically and is extremely easy to use. Safety suspension mechanism comes standard included. Standard equipped with key-operated control box and official 180x105 cm 12 mm glass backboard with a blue, high-density foam padding. The set is completed with a Pro-Strength dunk ring and nylon net. FIBA level 2 approved.

Foldaway:

- Forwards up-folding up to 10 m ceiling height;
- Backwards up-folding up to 10.50 m ceiling height.

Backboards:

- Official tempered 12 mm glass 180x105 cm backboard, incl. backboard padding (standard);
- 12 mm acrylic 180x105 cm backboard, incl. backboard padding (optional).

Ring:

- Pro Strength uni-directional dunk ring (standard);
- Pro Action 180 degrees multi-directional dunk ring (optional).

Height adjustment:

- Height can be adjusted either manually or electronically (both optional).

Auxiliary beams required for correct fixing of the support frames to main roof girders are not included. Our Projects Department requires building plans showing details of the main trusses and their location in relation to the basketball court, plus a plan view of the hall and sections (longitudinal and lateral) with indication of exact height from finished floor level up to underside of main girder.

Our ceiling suspended backstops are recommended for a maximum height (from finished floor level up to auxiliary beams) of up to 10 m, in view of limitation of vibration time after dunking; this corresponds to prevailing FIBA rules. (forward folding type shown)

Wall-mounted up-folding basketball backstops



The unit consists of a wall-frame, two heavy-duty hinged support yokes and an official 180x105 cm 12 mm glass backboard with a blue, high-density foam padding.

The set is completed with a Pro-Strength dunk ring and nylon net. FIBA Level 2 approved in case projection off the wall equals or exceeds 325 cm.

Consult our Sales Department for information on wall loads and structural requirements.

Any auxiliary support frames, if required, are not included. Push-button electrical operation.

Control panel is key-secured for authorized access, and has “dead man” switches for safety reasons.

Also available with manual operation, using a very heavy duty wall-mounted hand winch with steel cable and cable pulleys.

Units have a standard fixed ring height of 305 cm, ring height adjustment is optional. Unit comes with safety retention chains where appropriate, in view of projection.

Foldaway:

- Up-folding up to 4 m projection off the wall.

Backboards:

- Official tempered 12 mm glass 180x105 cm backboard, incl. backboard padding (standard);
- 12 mm acrylic 180x105 cm backboard, incl. backboard padding (optional).

Ring:

- Pro Strength uni-directional dunk ring (standard);
- Pro Action 180 degrees multi-directional dunk ring (optional).

Height adjustment:

- Height can be adjusted either manually or electronically (both optional).

Wall-mounted side-folding basketball backstops



The unit consists of a wall frame, two heavy duty hinged support yokes, a backboard mounting frame, a backboard and goal ring with net.

Consult our Sales Department for information on wall loads and structural requirements.

Any auxiliary support frames, if required, are extra. Units are single height (305 cm ring height), and come with safety retention chains where appropriate, in view of backboard weight and projection.

A spring-loaded telescopic rod incorporated in the support frame allows easy operation. Automatic lock in game position; magnetic pawl keeps unit in stored position.

Foldaway:

- Manual side folding up to 5 m projection off the wall.

Backboards:

- Official tempered 12 mm glass 180x105 cm backboard, incl. backboard padding (standard)
- 12 mm acrylic 180x105 cm backboard, incl. backboard padding (optional).

Ring:

- Pro Strength uni-directional dunk ring (standard);
- Pro Action 180 degrees multi-directional dunk ring (optional).

Height adjustment:

- Height can be adjusted manually (optional).



Wall-mounted shooting stations

Adjustable basketball goals



Wall-mounted height adjustable basketball goal, gas-spring assisted **1621113**

Upward folding basketball training goal/shooting station, gas spring assisted. Height settings at 305 cm, 280 cm and 260 cm. Projection 100 cm off the wall. Pushing the locking system by means of an operating stick (included) activates two strong gas springs which automatically raise board and ring to the next height setting. Wooden backboard 120x90 cm, with fixed ring and net. Backboard padding included. Unit folds upward for vertical storage against the wall.



Wall-mounted height adjustable basketball goal, projecting 10 cm **1611380**

Stepless height adjustment 260 - 305 cm by means of operating stick and belt gear; fan-shaped fiberglass backboard 120x90 cm mounted onto C-rails; equipped with recreational style dunk ring and net.

Fixed basketball goals



Fixed basketball backboard and ring **1611868**

Fan-shaped fiberglass backboard 120x90 cm, with recreational style breakaway ring and net. With mounting brackets, projecting 10 cm off the wall.



Fixed basketball backboard and ring **1620023**

Wooden backboard 120x90 cm with fixed ring, backboard padding and net. With mounting brackets, projecting 10 cm off the wall.



Basketball rings and nets



Pro-Action 180° dunkring
1611854

The most technologically advanced breakaway ring available today. The only true combination of 180° breakaway action with a Positive Lock Release Mechanism. Fully enclosed spring mechanism. Adjustable spring tension is pre-set within range prescribed in prevailing FIBA rules. "Hideaway" no-hook net fixing system to prevent injuries. Model designed for direct mount on Schelde ref: 1611870 framed glass backboard (bore hole pattern 102x127 mm).



Pro-Strength dunkring
1611858

Competition breakaway ring with positive lock system and fully enclosed spring mechanism. Adjustable spring tension is pre-set within range prescribed in prevailing FIBA rules. "Hideaway" no-hook net fixing system to prevent injuries. Model designed for direct mount on Schelde ref: 1611870 framed glass backboard (bore hole pattern 102x127mm).



Basketball dunkring school type
1611853

Tubular ring with wrap-around support and net fixing hooks. Two fully enclosed 33 mm rubber grommets ensure automatic return of the ring. Powder-coated finish. Includes mounting hardware.



Basketball ring, fixed model
3211201

Strong steel ring to latest EN-1270 safety codes. No net hooks, but safe "tube tie" net fixing system. Dimensions as per FIBA rules. Orange coating. Mounting hole pattern 110x90 mm.



Basketball net, antiwhip
3457351

Heavy braided nylon basketball net for top competition. Eliminates risk of net whip after dunking. Bright white colour. Meets prevailing FIBA rules for top competition.



Basketball net
3457360

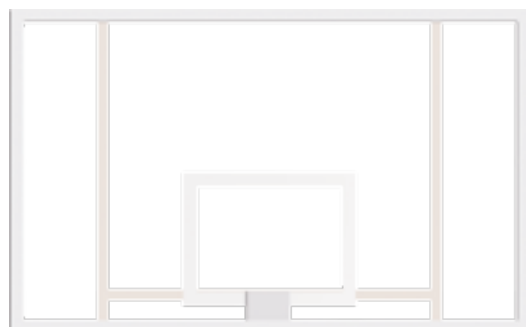
Regulation nylon basketball net for school and recreation. 12 loops; 45 cm long.



Basketball ring, antivandalism
1629010

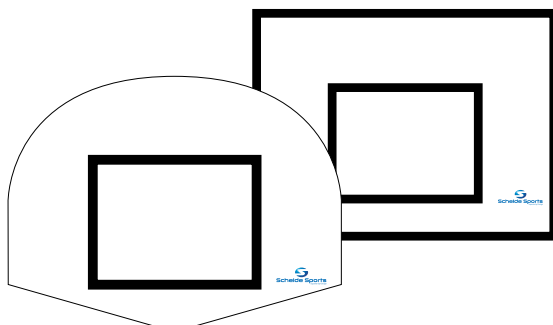
Solid steel ring, 20 mm diameter, model without hooks for use without net.

Basketball backboards



Basketball backboard, acrylic, 180x105 cm
1611875

Translucid 10 mm acrylic backboard mounted on strong metal frame, enameled white. Strong ring mounting plate has a 110x90 mm hole mounting pattern for ring; rear frame has slotted mounting channels for precise height adjustment during installation. See-through board with white perimeter and target zone lines.



Basketball backboard, fiberglass, 120x90 cm
1611872

Fan-shaped, fiberglass with wood core, white with black target zone lines.

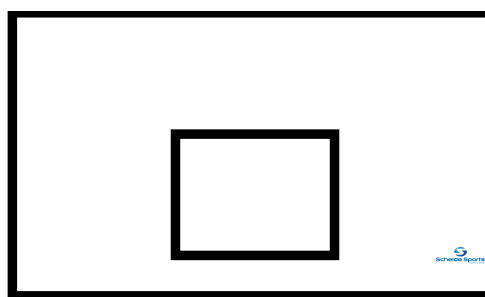
Basketball backboard, wood, 120x90 cm
3211010

White with black lines.



Tempered glass backboard 180x105 cm
1611870

12 mm tempered glass taken in white enameled steel frame. Meets FIBA competition standards. Glass-free ring attachment: glass has a cut-out and backboard frame has a strong ring mounting plate, designed for direct-mount onto main beam of backstop support structure. (order 4502356 center strut along when mounting backboard on a 4-corner support structure such as wall-mounted or ceiling-suspended systems)



Basketball backboard, fiberglass

Fiberglass backboard with wood core; white with black perimeter and target zone lines. 22 mm thickness.

1611871 180x105 cm

1611873 120x90 cm



1 Backboard light
3183039

LED strip around perimeter behind backboard; set of 2 backboards lights. The backboard light is composed of several self-adhesive strips that are easily fixed to the back of the basketball backboard. Small connection cables that link the individual LED strips make a full perimeter light on the basketball backboard. The set includes all connection cables, self-adhesive connector box and 5 m of connection between the connector box and the shot clock cabinet.

2 Bolt-on padding for tempered glass backboard
4502326

Heavy duty foam padding for 1611870 glass backboard or for 1611875 acrylic backboard. Meets FIBA standards; 51 mm wide slot for wrapping around bottom edge and lower sides of backboard and frame. Complete with mounting hardware. Supplied in two connecting parts for ease of shipping and mounting.

Shot clock support

Shot clock support for one Schelde shot clock on a Super SAM range backstop. Hinged base plate matches hole pattern in Super SAM beam. Braces attach to corners of backboard frame.

1612091 for single-faced shot clock

1612092 for four-sided shot clock

Fixed outdoor basketball backstops

Court Slammer

The court slammer is unique thanks to its clean design and safe height adjustment system, which offers an optimal game experience for juniors to seniors. The backstop is simple and steplessly adjustable in height from 260 cm to 305 cm. Frames are made of hot-dip galvanized steel, the steel ring is galvanized and coated, fixings are made of stainless steel. See-through acrylic 180 x 105 backboard with fixed ring and net. Different projection options available. (see page 37)



The above Court Slammer (1627000) consists of:

- 1 x 2300420: Upright outdoor basket, incl. mounting hardware
- 1 x 2300510: Anchor set outdoor backstop 200x200mm
- 1 x 2300435: Beam for outdoor backstop - 165 cm projection
- 1 x 2300470: Height adjustment with acrylic backboard
- 1 x 2300490: Fixed ring for outdoor backstop, incl. net

Street Slammer

The street slammer is a durable and robust anti-vandalism backstop. Frames are made of hot-dip galvanized steel, the steel ring is galvanized and coated, fixings are made of stainless steel. The upright can be equipped with 2 main beams, in order to have 2 backboards from only 1 anchor point. Different projection, backboard, ring and height options available. (see page 37)



The above Street Slammer (1627005) consists of:

- 1 x 2300420: Upright outdoor basket, incl. mounting hardware
- 1 x 2300510: Anchor set outdoor backstop 200x200mm
- 1 x 2300440: Beam for outdoor backstop - 225 cm projection
- 1 x 2300450: Anti-vandalism with mesh grid backboard of 180x105 cm
- 1 x 2300490: Fixed ring for outdoor backstop, incl. net

School Slammer

The school slammer is the ideal outdoor solution for your schoolyard. Frames are made of hot-dip galvanized steel, the steel ring is galvanized and coated, fixings are made of stainless steel. The upright can be equipped with 2 main beams, in order to have 2 backboards from only 1 anchor point. Different projection, backboard, ring and height options available. (see page 37)



The above School Slammer (1627010) consists of:

- 1 x 2300420: Upright outdoor basket, incl. mounting hardware
- 1 x 2300510: Anchor set outdoor backstop 200x200mm
- 1 x 2300435: Beam for outdoor backstop - 165 cm projection
- 1 x 2300460: Polyester 180 x 105 cm backboard
- 1 x 2300490: Fixed ring for outdoor backstop, incl. net

Create your own customized outdoor slammer

Some examples of Customized Outdoor Slammers

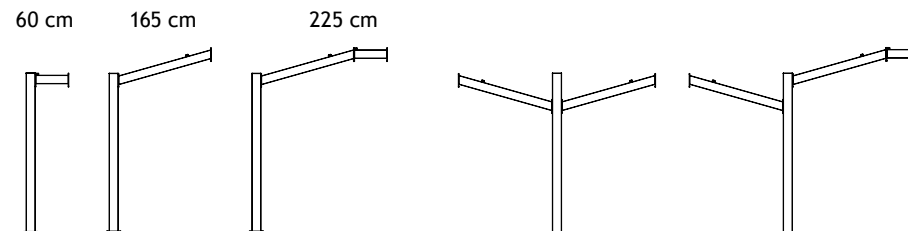


Always order (per outdoor slammer):

- 1x 2300420: Upright outdoor slammer, incl. mounting ware
- 1x 2300510: Anchor set outdoor slammer

And then start customizing in 3 steps:

- 1 Choose 1 or 2 beams:**
 - 2300440 Beam projection 225 cm
 - 2300435 Beam projection 165 cm
 - 2300430 Beam projection 60 cm



The beams with projection 60, 165 and 225 cm, can be combined and mounted on 1 or 2 sides of the upright.



- 2 Choose your preferred backboard(s):**
 - 2300450 Anti-vandalism with mesh grid 180x150 cm
 - 2300455 Anti-vandalism with mesh grid 120x90 cm
 - 2300460 Polyester 180x105 cm
 - 2300465 Polyester 120x90 cm
 - 2300470 Height adjustable acrylic backboard 180x105 cm



Anti-vandalism with mesh grid backboard



Polyester backboard



Height adjustment with acrylic backboard

- 3 Choose the appropriate basketball ring(s):**
 - 2300480 Anti-vandalism ring without net
 - 2300490 Fixed ring with net included



Basketball ring, anti-vandalism



Basketball ring, fixed model

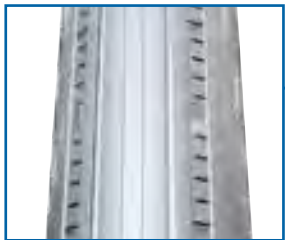
Please contact us for more information about pricing or installation instructions.

Introducing the new Spring Regulated eXchange volleyball system



Net height indications

No longer need to mark or measure the net height yourself thanks to the included net height indications for volleyball, badminton and tennis. (Ask the Schelde Sports team about our multicourt solution!)



Aluminium profile

Lightweight aluminium profiles for comfort of use, reinforced aluminium core for optimal rigidity.



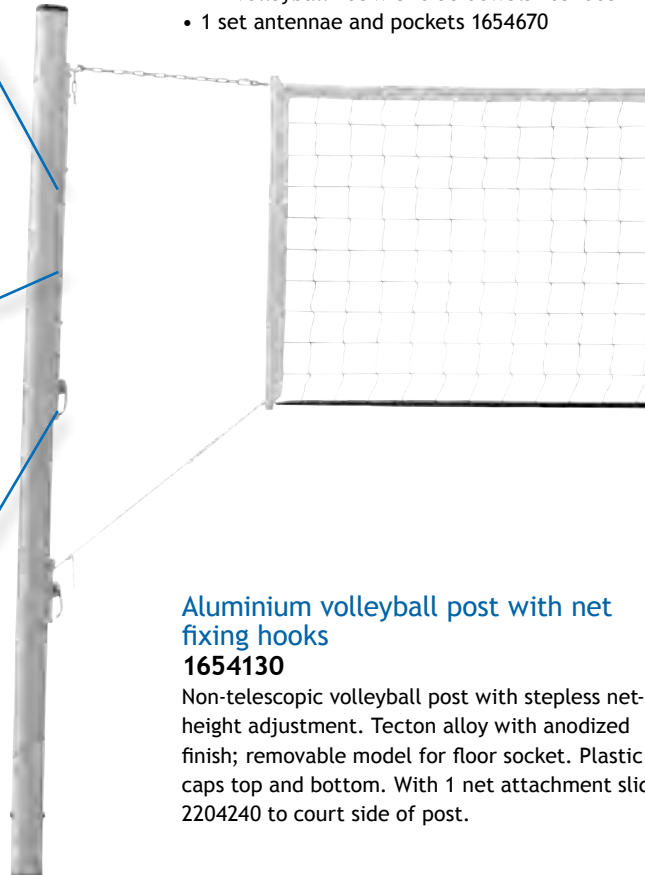
Height adjustment

Instant height adjustment with the worry-free single grip tension handle.

SRX volleyball set 1654050

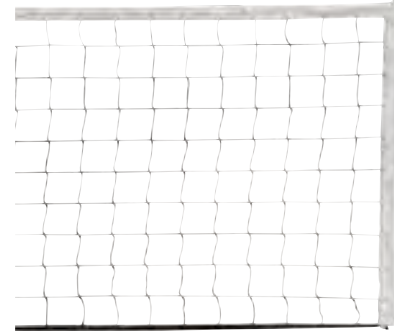
System comprised of:

- 1 x non-telescopic post with net fixing 1654130
- 1 x non-telescopic post with SRX tension system 1654120
- 1 x volleyball net with side dowels 1654005
- 1 set antennae and pockets 1654670



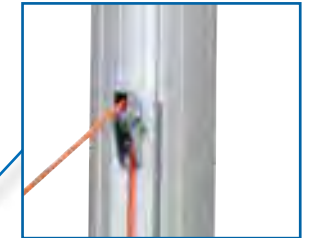
Aluminium volleyball post with net fixing hooks 1654130

Non-telescopic volleyball post with stepless net-height adjustment. Tecton alloy with anodized finish; removable model for floor socket. Plastic caps top and bottom. With 1 net attachment slide 2204240 to court side of post.



Aluminium volleyball post with SRX net tension system 1654120

Non-telescopic volleyball post with stepless net-height adjustment. Tecton alloy with anodized finish; removable model for floor socket. Plastic caps top and bottom. With 1 SRX net tension system on slide 2204220 to court side of post.



Kevlar net tension cable

Super strong and durable Kevlar cable for fixing the net to the posts.



SRX tension system

We are proud to introduce our SRX (Spring Regulated eXchange) in our brand new volleyball range. The most innovative tension system on the market! The durable spring system allows perfect net tension under all circumstances and offers extra support during ball impacts. In combination with the new spindle and cable grip, the net can be put under tension in no time.



Net tension display

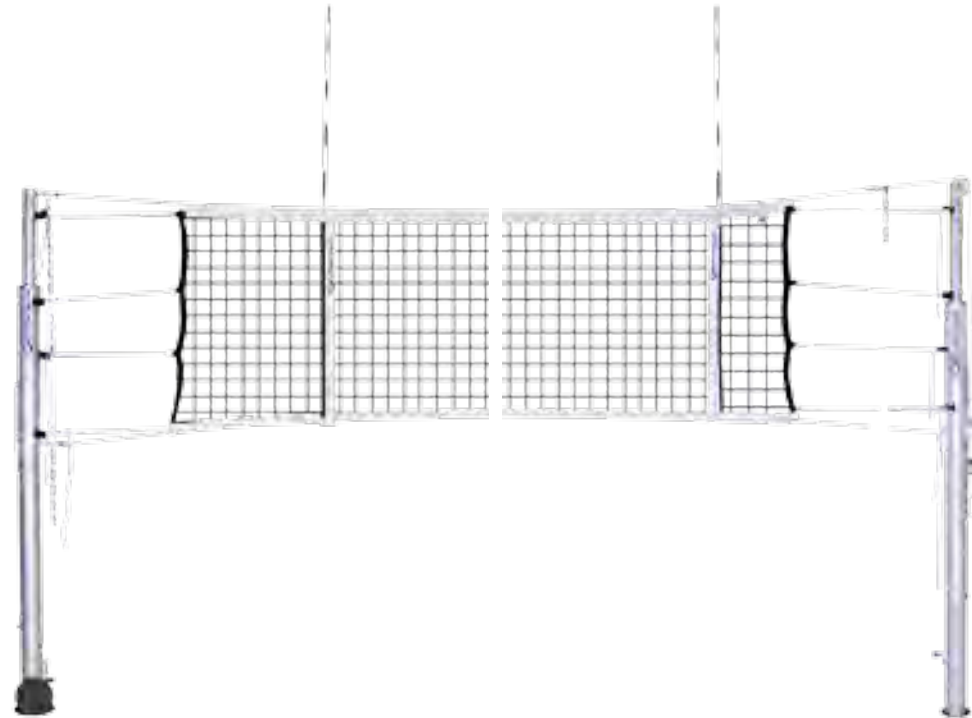
Achieve the perfect net tension by matching the markings on the net tension display. No more under- or over-tensioning, for improved performance of your Schelde Sports volleyball equipment.

Volleyball systems

Olympic Telescopic system

System comprised of:

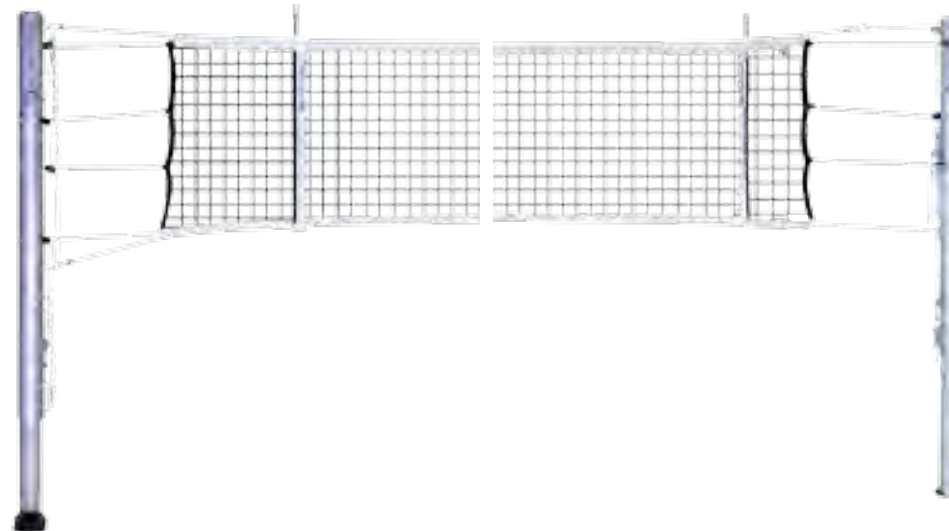
- 1 x Olympic Telescopic post with net fixing 1654610: Tecton alloy, with anodized finish. The upper part slides into the lower part (diam. 100 mm), for variation of net height. This adjustment is steplessly achieved by means of a winder activating an internal gear mechanism. With net attachment.
- 1 x Olympic Telescopic post with tension winch 1654611: Same as above but with net attachment and spindle-type net tensioner.
- 2 x floor socket 2500231 or 4502296 depending on floor system
- 1 x competition volleyball net 1654005
- 1 set antennae and -pockets 1654670



International Telescopic system

System comprised of:

- 1 x International Telescopic post with net fixing 1654608: Comprised of 2 parts. Tecton alloy with anodized finish. The top part slides over the lower part (diam. 100 mm) in order to adjust the net height. Grip handle for stepless, manual height adjustment. Internal spring mechanism for automatic raising of net height. With net attachments and lever lock for instant set-up.
- 1 x International Telescopic post with tension winch 1654609: same as above but with net attachments, spindle-type net tensioner winch and lever lock for instant set-up and adjustment.
- 2 x floor socket 2500231 or 4502296 depending on floor system
- 1 x competition volleyball net 1654005
- 1 set antennae and -pockets 1654670



Top competition referee stand for volleyball to FIVB standards 1654441

Weighted platform for standing and seated refereeing. Height-adjustable execution with safety rails, access ladder, wheeled base for transportation to storage area. Meets FIVB requirements for high level international competition. Steel structure finished in white, with full-height protective blue padding.



Volleyball referee stand 1654433

Freestanding referee stand. Metal structure with fixed height standing platform for referee. Two legs have wheels for easy transportation to the storage area. Fitted with writing tablet and seat plank.

Safety padding set for referee stand 1654043

Blue colour safety padding set for 1654433 volleyball referee stand.

Accessories



1 + 2
Volleyball antennae and pockets, set
1654670

Complete set of 2 antennae 1654672 and 2 pockets 1654671, for one volleyball net.

3
Net cable safety padding
1654613

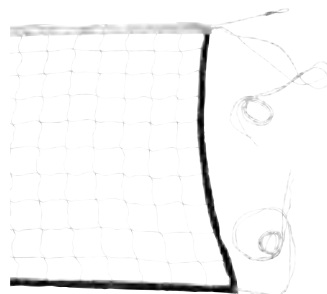
Vinyl covered foam padding for volleyball net tension cables and chains. Set of 4 pieces. Length 65 cm.

4
Protection pad for volleyball post
1654035

Height 200 cm, thickness is 3 cm. Firm foam body with reinforced vinyl cover. Easy and quick mounting with velcro straps.

Protection pad for volleyball centre post
1654036

Height 200 cm, thickness is 3 cm. Firm foam body with reinforced vinyl cover. Easy and quick mounting with velcro straps. Standard colour blue. 2-piece model for center posts. (not pictured).



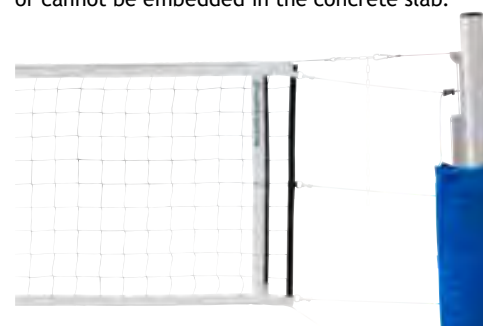
Volleyball net, practice
1654002

Very strong, black polyethylene, meshes 10x10 cm, white side tapes. PVC clad galvanized steel suspension cable on top, polyethylene tension rope below. Dim. 9,5x1 m.



T-base for game post
1654612

For 100 mm diameter Tecton game post. Steel sleeve with brace and protective end caps. Supplied with floor anchor set for both non-suspended sport floors (PVC, PU, etc) and suspended floor systems (wood). Provides the ideal solution when floor sockets are not available or cannot be embedded in the concrete slab.

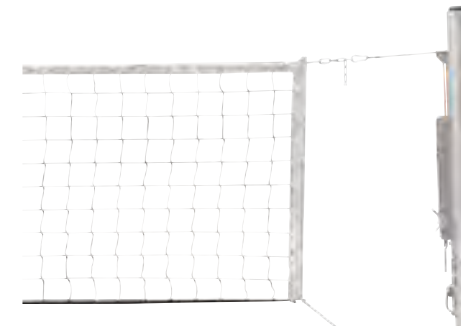


Volleyball net for top competition
1654005

Competition net without side sticks, conform to FIVB rules, knotless black nylon 2,5 mm, meshes 10x10 cm, Kevlar suspension cord in 7 cm high top binding, 6 mm. nylon tension rope in 5 cm binding below, inclusive of white side tapes. Net is tensioned by means of straps with clam cleat tensioners.

Floor Sockets

Depending on the type of flooring and sports equipment, the appropriate floor sockets may vary. We will be glad to advise you in making the right choice. Contact us.



Volleyball net with insewn side sticks
1654006

Four-point net attachment for fast and easy set-up. Knotless black nylon 2,5 mm, meshes 10x10 cm, 7 cm high top band and 5 cm band at bottom of net, insewn side dowels, white side tapes, 6 mm nylon tension rope below, Kevlar suspension cord in top binding. Dim. 9,5x1 m.

Portable Pro II volleyball system

Portable Pro II volleyball system 1654075

Completely freestanding volleyball net system, for arenas where floor anchoring systems are not possible or not allowed (such as ice rinks or similar). All components, including the referee stand, are self-contained in the rolling base. Heavy-duty steel posts have pin-set net height settings for men/women/juniors; they tilt up and lock into playing position (along with referee stand, on one end). Safety paddings come in blue colour. Durable competition volleyball net with antennae. Integral ballast and front friction bar for supertight net tensioning. Six rear and two front non-marking wheels.



Volleyball referee stand 1654433

Freestanding referee stand. Metal structure with fixed height standing platform for referee. Two legs have wheels for easy transportation to the storage area. Fitted with writing tablet and seat plank.

Safety padding set for referee stand 1654043

Blue colour safety padding set for 1654433 volleyball referee stand.



Top competition referee stand for volleyball to FIVB standards 1654441

Weighted platform for standing and seated refereeing. Height-adjustable execution with safety rails, access ladder, wheeled base for transportation to storage area. Meets FIVB requirements for high level international competition. Steel structure finished in white, with full-height protective blue padding.

Beach volleyball

Beach volleyball set

1654614

Consisting of:

- 1 beach volleyball net 850x100 cm;
- 2 volleyball posts with net attachment slide to court side;
- 1 separate tensioner for volleyball net;
- 1 set of court lines, 5 cm wide with ground fixings;
- 2 T-bases with wooden extensions.



Protection pad for volleyball post

1654035

Height 200 cm, thickness is 3 cm. Firm foam body with reinforced vinyl cover. Easy and quick mounting with velcro straps.

Beachvolleyball net, competition type

1695978

Black polyethylene 2 mm, with fluorescent border tape. Meshes 10x10 cm. Dim. 950x100 cm. Steel cable in top binding.

Beach volleyball game court lines set

1695986

Heavy duty blue tape, 5 cm wide, with ground fixings. Can be adapted for a 18x9 m court or a 16x8 m court.



Tennis



Tennis post, socketed 1657130

Tecton anodized duraluminium, socketed type, lightweight and maintenance-free, 100 mm diameter. Full height net fixing rod through eyelets at court side. Plastic end caps and pulley wheels for net cable guiding; fixing hook for cable at outside of post. Weight about 5 kg.

Tennis post with tensioner winch, socketed 1657135

Tecton anodized duraluminium, socketed type, lightweight and maintenance-free, 100 mm diameter. Full height net fixing rod through eyelets at court side. With safety type rectilinear traction spindle tensioner winch on slide bar, removable handle. No cable winding, no kinking. Weight 6 kg.



Tennis post with net fixing 1657140

Aluminium, square 80 x 80 mm, provided with full height net fixing rod at court side. With fastening hooks for net tension cable.

Tennis post with winch 1657145

Aluminium, square 80 x 80 mm, provided with full height net fixing rod and fitted with integral net tensioner winch contained inside.



Tennis net Type Blizzard 1657520

Tennis net for competition. 2,2 mm polyethylene and double meshes 55 x 55 mm. With plastified surface 5 mm thick steel cable (13,60 m) and a nylon upper band. Exclusive netadjuster and band. Dimension 1280 x 107 cm.



Tennis net Type Sport 1657525

Tennis net for competition. Extra strong knotless and square meshed of 2.5 mm polyester, black. With UV resistant polyester band through which a plastified surface steel cable (13,20 m) runs. Better view thanks to the lack of dual meshes.

Floor Sockets

Depending on the type of flooring and sports equipment, the appropriate floor sockets may vary. We will be glad to advise you in making the right choice. Contact us for more information.

Handball/Hockey/Futsal goals



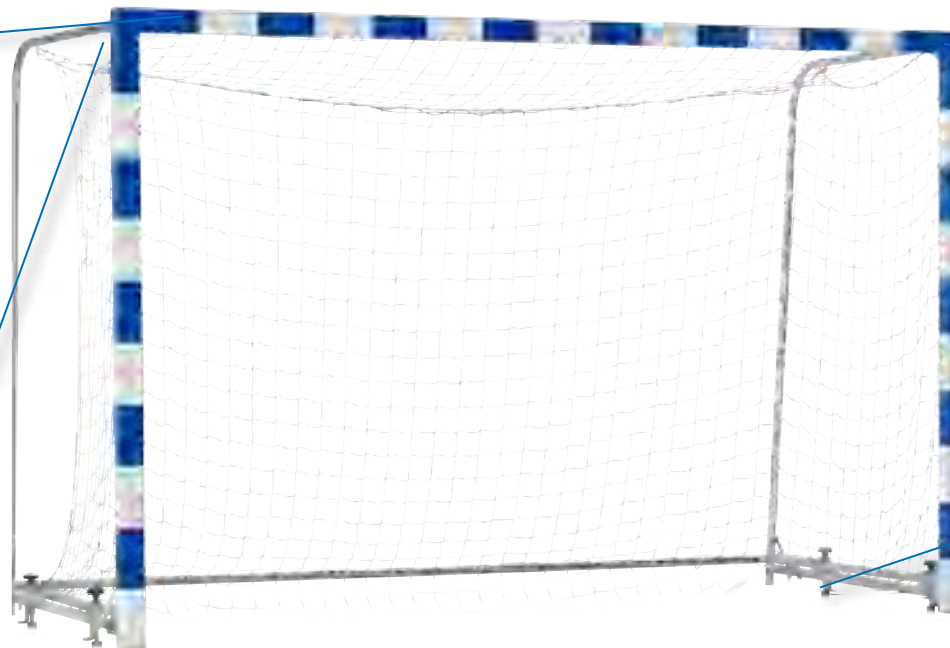
Concealed net hooks

The PVC net hooks are concealed in the back of the goal posts and crossbar for optimal safety.



Reinforced corner profiles

The reinforced aluminium corner pieces connect the post and crossbar seamlessly, and offer improved rigidity and stability.



Solid aluminium posts

Heavy duty, durable aluminium goal posts, with rounded corners and chequered blue pattern. Bottom of posts are fitted with rubber floor protectors.



Quick lock tension system

Fix the support frame to the floor in no time thanks to the quick lock tension system.

IHF approved handball goals

IHF approved handball goal, freestanding 1615750

Tecton, 300x200 cm, aluminium square posts and crossbar 80x80 mm, wall thickness 2 mm, rounded corners, slide profile with net hooks, chequered blue pattern; bottoms of posts fitted with plastic floor protectors; foldable net supports for freehanging net suspension and fixed collapsible floor bracket. Net and floor connectors not included. Net support depth 100 cm at the top, 150 cm at the bottom. Knocked-down for site assembly.

IHF approved handball goal, socketed 1615755

Same as 1615750 but socketed.



Club and school competition

Handball goal freestanding 1615735

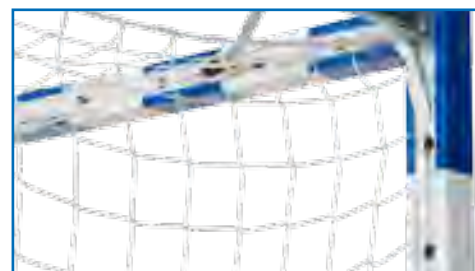
Tecton, 300x200 cm, aluminium square posts and crossbar 80x80 mm, wall thickness 2 mm, rounded corners, slide profile with net hooks, chequered blue pattern; bottoms of posts fitted with plastic floor protectors; foldable net supports for freehanging net suspension; separate easy to fit rear bar. Net and floor connectors not included. Net support depth 80 cm at the top, 150 cm at the bottom. Knocked-down for site assembly.

Handball goal freestanding 1615730

Same as 1615735 but 100 cm at the bottom.

Nets for handball goals

For competition and official IHF competition handball goals. Designed for free hanging suspension in net support brackets. Meshes 100x100 mm.



**Net for handball/futsal goal
1615206**

2,2 mm white nylon net for goal, meshes 10 x 10 cm finished with a band. Per piece.



**Net for IHF handball goal
1615214**

Same as 1615206 but depth at the top: 100 cm, at the bottom: 150 cm. Per piece.



Floor connector for freestanding handball goal

Floor plate with 'quick-fix' clamp bracket. 4 pieces are needed for a handball goal.

1615238

Suited for goals 1615750 and 1615755. Per piece.

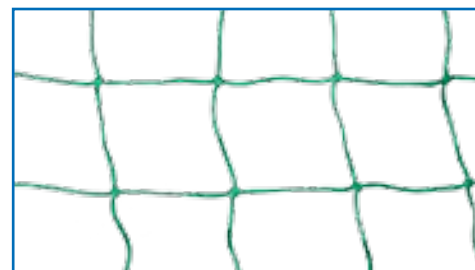
1615237

Suited for goals 1615730 and 1615735. Per piece.

Ball stop net

1615215

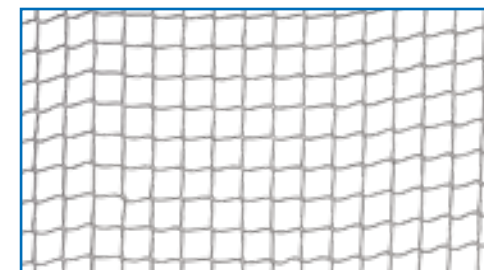
300 x 200 cm, meshes 10 x 10 cm, designed for free hanging suspension in net support brackets. Ball stop net, to be suspended in the goal, at approx. 40 cm from the net. Per piece.



Net for handball/futsal goal

1615216

Extra sturdy net for handball/football goal. Finished with tape all round to prevent wear. 6 mm green polypropylene, meshes 10 x 10 cm. Per piece.



Net for indoor hockey goal

1615200

White nylon indoor hockey net 2,8 mm, meshes 45 x 45 mm. Equally suitable for handball and indoor soccer. Per piece.

Badminton



Rollable badminton stand for top competition 1653040

Portable stand in line with regulations for international competitions. Stand rests on antislip sheets, 100% autostable. Easy and quick tensioning. Ideal for center court. With top pulley and double tensioning points. Available per piece, excluding net.



Rollable badminton stands, per pair 1653035

Steel upright with weighted base and wheels for ease of transportation. Top and bottom have clam cleats for fast and trouble-free tensioning of the net. Floor protection pad and soft tread wheels.



Badminton nets

1653200

Badminton net with tightening rope and finished edges all round in accordance with regulations.

1653202

Badminton nets on a single tightening rope for 2 adjacent badminton courts. Rope 30 m.

1653203

Badminton nets on a single tightening rope for 3 adjacent badminton courts. Rope 30 m.

1653204

Badminton nets on a single tightening rope for 4 adjacent badminton courts. Rope 40 m.

Badminton



Badminton post, steel, socketed 1653053

Socketed steel post for competition. White enamelled tubular steel 40x40 mm, lower end fitted with an adjustable bottom plug for exact height regulation of the net. Post provided with slotted plastic top cap for the net rope guiding, and with clam cleat fixation to the outside of the post for net rope tightening.



Badminton post 1653050

Socketed post, Tecton anodized duraluminium, light-weight and strong. 100 mm O.D., weight approx. 7 kg. Fitted with adjustable plastic net height guide and clam cleat for net rope fixing. Recommended for school gym programmes with multiple court arrangements, using several nets suspended on one continuous rope.



Freestanding net support post 1548020

Freestanding net support post for badminton net. White enameled metal, 25 mm diameter, height 155 cm, post with slotted plastic top cap for net cord, on weighted base with plastic protection. For badminton set-up in combination with e.g. volleyball uprights, or several badminton nets suspended on 1 cable.

Floor Sockets

Depending on the type of flooring and sports equipment, the appropriate floor sockets may vary. We will be glad to advise you in making the right choice. Contact us for more information.



Badminton net, recreational 1653210

Nylon net, meshes 19x19 mm, dim 610x76 cm, thread 0,8 mm.



Badminton net YONEX competition 1653220

Nylon, bordered four sides, white nylon top binding with tension wire and lower net ropes. Dim 610x76 cm, meshes 19x19 mm.

Korfbal



Korfbal post, competition model, socketed **1652075**

Aluminium korfbal post 76 mm diameter, for socket 2500236. With heavy-duty IKF approved plastic competition basket, height 350 cm. With lock-pin for correct positioning in socket.

Korfbal post, competition model, socketed; dual height **1652076**

Aluminium korfbal post 76 mm diameter, for socket 2500236. With heavy-duty IKF approved plastic competition basket, height 300 cm. With lock-pin for correct positioning in socket and comes complete with extension piece for play at 350 cm basket height.

Korfbal basket **3431150**

Plastic, competition model, IKF approved.

Korfbal post and basket, on base, indoor/outdoor use **1652130**

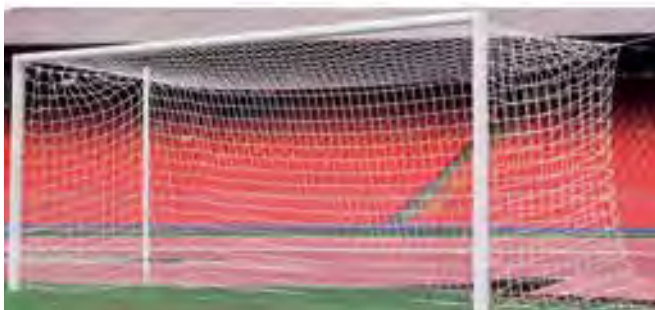
One-piece aluminium post 350 cm long, 76 mm diameter, on galvanized weighted base plate (24 kg, 10 mm high, 60 cm diameter). Plastic basket IKF approved. For indoor and outdoor use.

Floor Sockets

Depending on the type of flooring and sports equipment, the appropriate floor sockets may vary. We will be glad to advise you in making the right choice. Contact us for more information.



Football



Football goal 732x244 cm
1616870

Suitable for top competition, 732x244 cm. Oval Aluminium posts with net hooks; section 105x120 mm, wall thickness 2 mm with 4 mm reinforcement strips, white enamelled; supplied with two aluminium ground sleeves of 50 cm and two covers. Internal aluminium corner joints. Two aluminium tension posts, diameter 50 mm; supplied with two ground sleeves and two covers. Model recommended by FIFA. Exclusive of net.



Football goal 732x244 cm
1616801

Oval aluminium posts with net hooks. Wall thickness of 2 mm with 4 mm reinforcement strips according to FIFA guidelines. Internal aluminium corner joints. Supplied with two aluminium ground sleeves (depth of 50 cm) and two covers. Easy set-up and break-down. Can also be equipped with an easy-to-use foldable base frame (ref 1616809). White - P-Model, per piece, without net.



Football goal 500x200 cm
1616825

Square 8x8 cm aluminium posts with net hooks. Corner reinforcement with internal aluminium casting. The net braces and floor frame offer extra stability. The freestanding goal needs to be anchored (contact sales dept. for different anchoring options). Per piece, supplied without net.



Football goal 500x200 cm
1616826

Square 8x8 cm aluminium post with net hooks and net braces. Supplied with two aluminium ground sleeves (depth of 50 cm) and two covers. P-Model, per piece, without net.

Football goal net 732x244 cm
1695965

White polyethylene, thickness 3 mm, meshes 14,5x14,5 cm. 90 cm deep at the top, 200 cm deep at the bottom. Suitable for use with football goal 1616870 and 1616801. Per piece.

Football goal net 732x244 cm
1616470

White polyethylene, thickness 5 mm, meshes 14,5x14,5 cm. 90 cm deep at the top, 200 cm deep at the bottom. Suitable for use with football goal 1616870 and 1616801. Per piece.

Football goal net 732x244 cm
1616403

White polyethylene, thickness 3 mm, meshes 12,5x12,5 cm. 87,5 cm deep at the top, 150 cm deep at the bottom. Suitable for football goals with P-model net supports. Per piece.

Football goal net 500x200 cm
1616480

Green polyethylene, thickness 3 mm, meshes 12,5x12,5 cm. 80 cm deep at the top, 150 cm deep at the bottom. For use with junior football goal. Per piece.

Football goal net 500x200 cm
1695967

Green polyethylene, thickness 4 mm, meshes 14,5x14,5 cm. 90 cm deep at the top, 150 cm deep at the bottom. For use with junior football goal. Per piece.

Accessories



Transport trolley for handball goals
1665194

Trolley to move and store 2 collapsible goals.
Fitted with 4 double swivel wheels and with curved plastified suspension brackets on both sides.



Ball trolley, lockable
1595194

Metal grid wire trolley with lid, lockable by means of padlock. Dimensions 70x70x70 cm, on 4 wheels.



Officials' Table
1720090

Officials' table, 250x50 cm, height 80 cm. Four legs. One side wheeled.



Ball trolley, 6 levels, lockable
1522154

Metal trolley, with 6 separate storage compartments each of which have a lockable access door (padlock is not supplied along). One central locking mechanism, inclusive of lock and keys. Rollable on 4 swivel wheels. Also suitable for housing storage boxes 2201900: can take 3 boxes per level. Dim 132,5x67x178 cm. Height per level is 24 cm.



Player bench
1616188

Player bench, indoor, 210 cm long; metal frame with rubber feet and hardwood slats. One side wheeled.

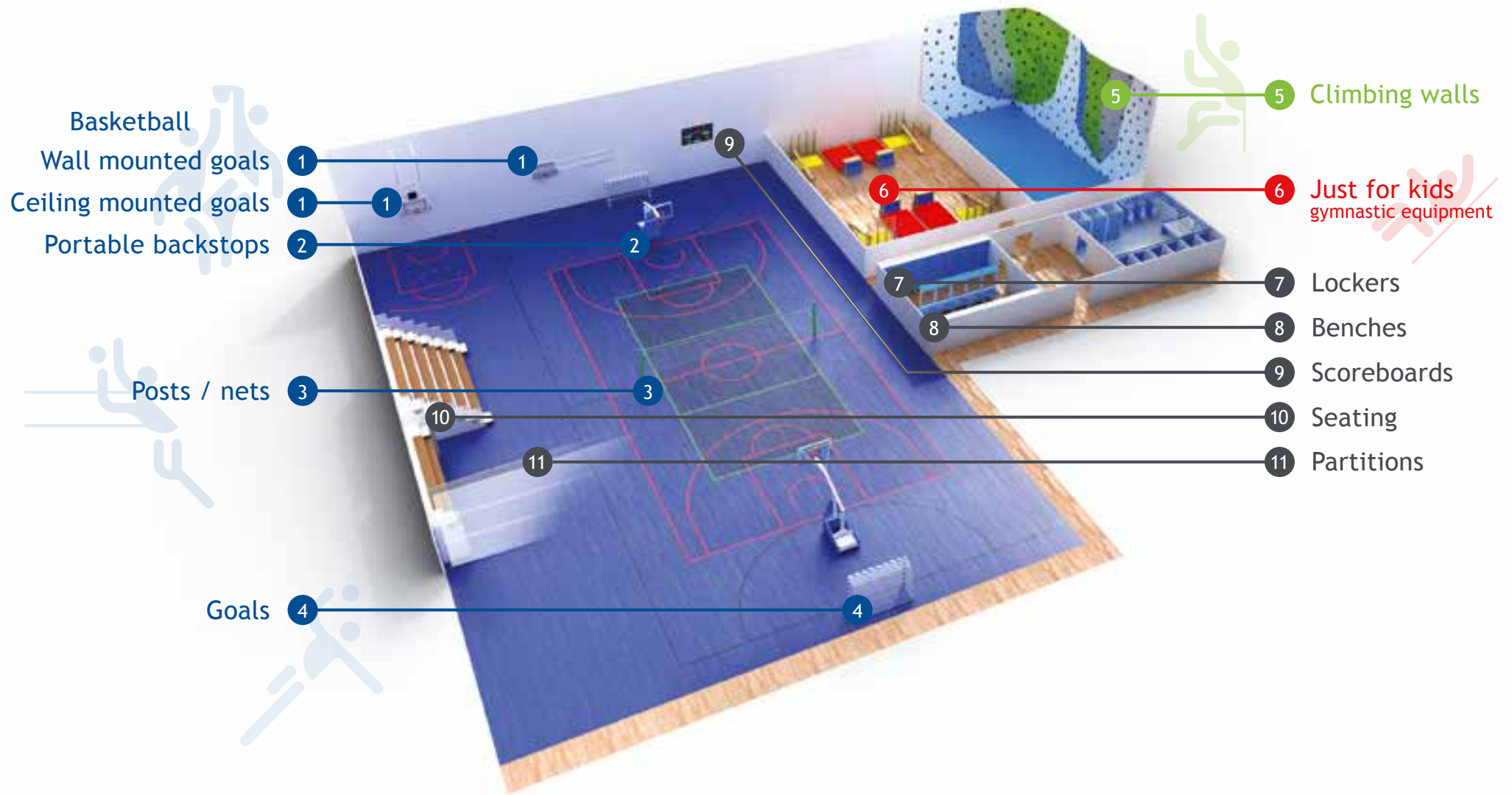


Folding ball trolley, low model
1522096

Metal frame with strong fabric container for approx 30 (volley)balls. Dimensions of fabric cube approx 60x60x60 cm. Rollable on 4 swivel wheels. Folds for storage. Low model.

Contact us for more info about our full range of accessories.

Schelde Sports Multi Sports solutions



Entre-Prises and Schelde Sports have joined forces to make climbing walls a standard inclusion within indoor sports facilities.

The development of artificial climbing walls over recent decades has contributed significantly to the rapid growth of interest in climbing around the world over recent years.

Climbing walls offer a safe challenge, that develops team spirit and self-confidence. As a pioneer in the climbing wall industry, Entre-Prises designs, manufactures and installs tailor-made solutions for climbing experiences around the world. Over the last 30 years Entre-Prises has constructed more than 6000 climbing walls around the world. We continue our search for unique and elegant shapes, designing new climbing lines, and pushing material and process innovation.

Entre-Prises has developed a product range specifically for educational purposes. The climbing wall design developed between Schelde Sports and Entre-Prises is available in a range of configurations. Easy slab faces or more overhanging and difficult sections can be selected.

The climbing walls can be delivered turn-key and ready to use, including the climbing holds, climbing equipment and mats.





With over 60 years of experience, ACMAN is the French leading manufacturer and installer of washroom cubicles and locker equipment, producing more than 18,000 toilet and shower cubicles per year. ACMAN provides the equipment needed, and meets architects and building contractors expectations (technical specifications, architectural trends, access for people with reduced mobility, etc.).

As being part of ABEO Group, lockers and cubicles are available via Schelde Sports.



just for kids

The Just For kids programme aims to provide the youngest with apparatuses adjusted to their needs. The modular system 'Just For kids' offers a lot of outstanding advantages to the children gymnastics such as simplicity, variety of applications and adaptability. All modules can be easily and quickly adjusted and varied in different ways, so that versatile creative exercise areas can be built up.

'Just For kids' system enables children to:

- Experience new movements;
- Develop the sense of balance and perception of their body;
- Increase physical activity by playing;
- Advance conditional and coordination capabilities;
- Get self-confidence due to readiness for risk;
- Put own playing idea into practice by variation of modules;
- Coordinate oneself with the play partners.



REFERENCES



TECHNICAL SUPPLIER



FIBA World Cup Spain 2014



FIBA 3x3 World Tour



FIBA EuroBasket 2015



Olympic Games 2016

